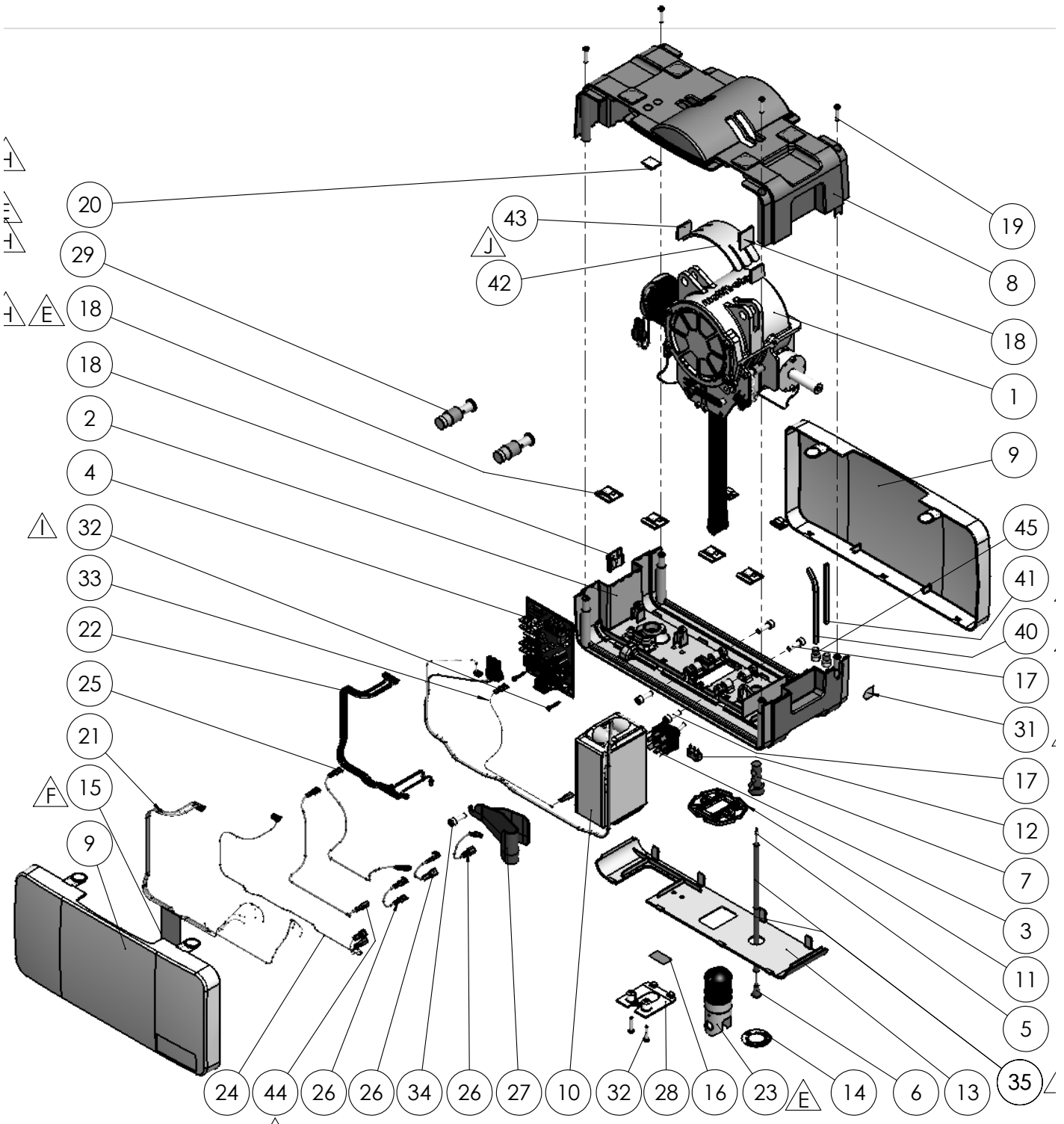


# Air Components



Air Basic  
Exploded  
Drawing  
20-001  
Rev. L

## 2500000 AIR BASIC

Pos	Article no.	Description
1	2510001	Motor Assy
2	2510000	Lower Cover
3	2510002	Emergency Lowering Switch
4	2520112	Main PCB Molift Air
5	1101588	Rope
6	1101587	Knob Red (Rope End)
7	2510003	Emergency Stop Knob
8	2510004	Upper Cover
9	2510005	Side Cover
10	2510023	Battery 26,4V NiMh
11	2510006	Offlead Angle Sensor
12	2510007	Micro Switch
13	2510008	Bottom plate
14	2510035	Label. Emergency Stop
15	1100303	Label: Safety Check
16	2510060	Label: Battery & Service
17	1220308	Screw, Socket Head Cap
18	0620134	Self-adhesive Cable-clip
19	1220330	Screw, Reform
20	0620133	Self-adhesive Cable-clip
21	2510009	Cable no.4 Sensor
22	2510010	Cable No.3 PCB-DIN-ED
23	2510077	Quick Release for suspension
24	2510025	Cable no. 2, Emergency Stop
25	2510026	Cable no. 5, Emergency Stop
26	2510027	Cable no. 6, Emergency Stop
27	2510028	Battery Lock
28	2510061	Cover Handcontrol
29	2510041	Quick Release Unit
30	<b>2510084</b>	Removed
31	2510079	Emergency Lowering
32	1310133	Screw, Ejot PT-screw, KB 40
33	2510074	Cable no. 3, Emergency Stop
34	1101562	Screw, Socket Head Cap
35	2510099	PVC-pipe
36	2510012	Carboard Box
37	2510092	Inlay no. 3 Carboard Box
38	2510093	Inlay no. 4 Carboard Box
39	2510032	Inlay no. 1 Carboard Box
40	2510137	6-kant nøkkel 90-grader
41	2510136	6-kant nøkkel rett
42	2510205	Plate IP sealing

43	2510206	Plate IP sealing small
44	2510207	Cable no. 7, Emergency Stop
45	2510277	Silicon Tube 8x1,5x17

## 2501205 AIR 205

Article no.	Description
2500000	Air Basic
2510080	Prod. Label 2 Molift Air 205
2510044	Label Molift Air 205
2017002	Hand Control 2 button w/charg

## 2501300 AIR 300

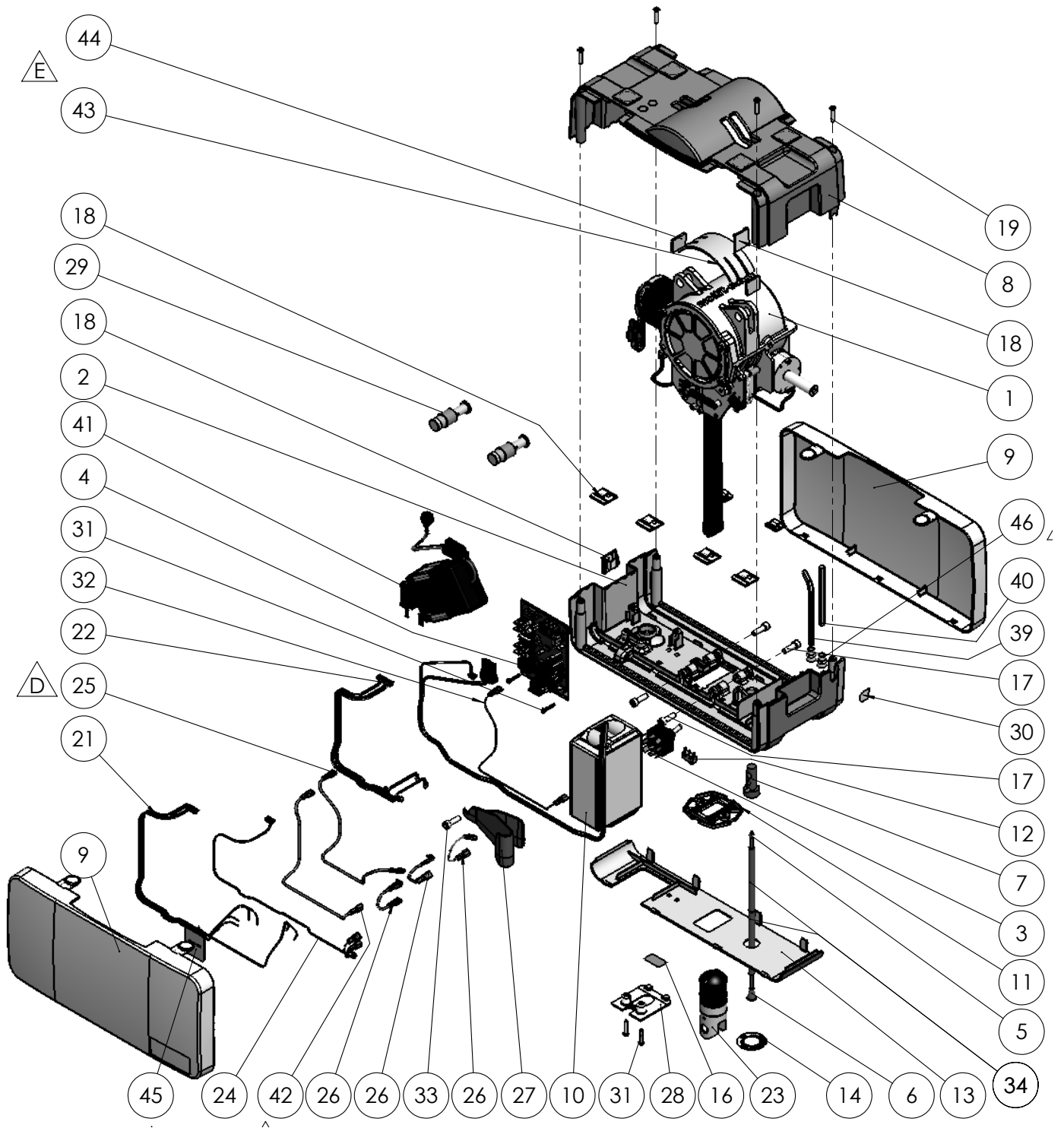
Article no.	Description
2500000	Air Basic
2510078	Prod. Label 2 Molift Air 300
2510011	Label Molift Air 300
2017002	Hand Control 2 button w/charg

## 2501210 AIR PROPULSION 205

Article no.	Description
2500000	Air Basic
2510072	Propulsion Cable
2510080	Prod. Label 2 Molift Air 205
2510044	Label Molift Air 205
2019004	Hand Control 4 button w/charg
1310144	Contact
1310145	Contact Cover
0420121	Cable
0620133	Sel-adhesive Cable Clip

## 2501310 AIR PROPULSION 300

Article no.	Description
2500000	Air Basic
2510072	Propulsion Cable
2510078	Prod. Label 2 Molift Air 300
2510011	Label Molift Air 300
2019004	Hand Control 4 button w/charg
1310144	Contact
1310145	Contact Cover
420121	Cable
0620133	Self-adhesive cable Clip



Air IRC Basic  
Exploded  
Drawing  
20-012  
Rev. G

## 2500001 AIR IRC BASIC

Pos	Article no.	Description
1	2510001	Motor Assy
2	2510000	Lower Cover
3	2510002	Emergency Lowering Switch
4	2520112	Main PCB Molift Air
5	1101588	Rope
6	1101587	Knob Red (Rope End)
7	2510003	Emergency Stop Knob
8	2510004	Upper Cover
9	2510005	Side Cover
10	2510023	Battery 26,4V NiMh
11	2510006	Offlead Angle Sensor
12	2510007	Micro Switch
13	2510008	Bottom plate
14	2510035	Label. Emergency Stop
15	1100303	Label: Safety Check
16	2510060	Label: Battery & Service
17	1220308	Screw, Socket Head Cap
18	0620134	Self-adhesive Cable-clip
19	1220330	Screw, Reform
20	0620133	Self-adhesive Cable-clip
21	2510009	Cable no.4 Sensor
22	2510010	Cable No.3 PCB-DIN-ED
23	2510077	Quick Release for suspension
24	2510025	Cable no. 2, Emergency Stop
25	2510026	Cable no. 5, Emergency Stop
26	2510027	Cable no. 6, Emergency Stop
27	2510028	Battery Lock
28	2510061	Cover Handcontrol
29	2510041	Quick Release Unit
30	2510079	Emergency Lowering
31	1310133	Screw, Ejot PT-screw, KB 40
32	2510074	Cable no. 3, Emergency Stop
33	1101562	Screw, Socket Head Cap
34	2510099	PVC-pipe
35	2510012	Carboard Box
36	2510092	Inlay no. 3 Carboard Box
37	2510093	Inlay no. 4 Carboard Box
38	2510032	Inlay no. 1 Carboard Box
39	2510137	6-kant nøkkel 90-grader
40	2510136	6-kant nøkkel rett
41	2510147	AIR IRC-Unit
42	2010205	Cable no. 7, Emergency Stop

43	2010206	Plate IP sealing
44	2010207	Plate IP sealing small
45	1240103	Label Charger Mode
46	2510277	Silicon Tube 8x1,5x17

## 2501215 AIR IRC 205

Article no.	Description
2500001	Air Basic IRC
2510080	Prod. Label 2 Molift Air 205
2510044	Label Molift Air 205
0440002	Hand Control 2 buttons

## 2501315 AIR IRC 300

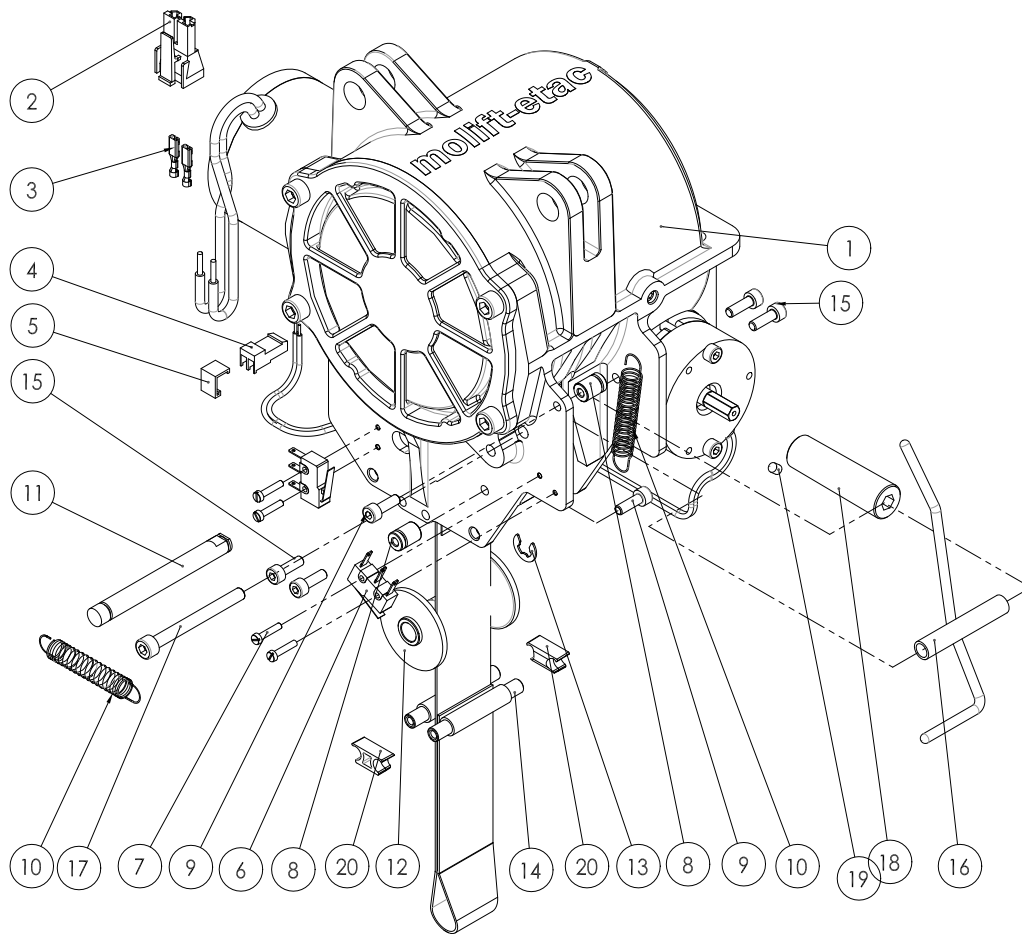
Article no.	Description
2500001	Air Basic IRC
2510078	Prod. Label 2 Molift Air 300
2510011	Label Molift Air 300
0440002	Hand Control 2 button

## 2501220 AIR IRC PROPULSION 205

Article no.	Description
2500001	Air Basic IRC
2510072	Propulsion Cable
2510080	Prod. Label 2 Molift Air 205
2510044	Label Molift Air 205
2018004	Hand Control 4 button
1310144	Contact
1310145	Contact Cover
0420121	Cable
0620133	Self-adhesive Cable Clip

## 2501320 AIR IRC PROPULSION 300

Article no.	Description
2500001	Air Basic IRC
2510072	Propulsion Cable
2510078	Prod. Label 2 Molift Air 300
2510011	Label Molift Air 300
2018004	Hand Control 4 button
1310144	Contact
1310145	Contact Cover
0420121	Cable
0620133	Sef-adhesive Cable Clip



Air Motor  
Exploded  
Drawing  
20-011  
Rev. D

2510001 Motor Assy Molift Air

Pos	Article no.	Description
1		Gear Box
2	0920072	Molex Plug
3	0920078	Molex Crimp Socket
4		Connector
5		Contact Cover
6	1220116	Microswitch
7		Screw, Slotted Cheese Head
8		Spring Perch
9	1410134	Screw, Socket Head cap

10	1220194	Extension Spring
11	1220155	Axle for Guiding Drum
12	1220158	Guiding Drum
13	1220313	Circlip
14		Axle
15	1410134	Screw, Socket Head Cap
16		Trigger Arm
17		Screw, Socket Head Cap
18		Hexagon sleeve
19	1431011	Set Screw
20		Constrictor

## Spare part list

Recommended spare parts to keep in stock for Service personnel.

Article no.	
1240100	Charger Nomad/AIR
2510023	Battery 26,4 V NiMH Molift Air
2510063	Lifting Belt Molift Air
2017002	Hand Control 2 buttons with charging probes
2510005	Side Cover
2510004	Upper Cover
2510008	Bottom plate
2510007	Micro Switch
2510008	Bottom plate
2510006	Offlead Angle Sensor
2520112	Main PCB Molift Air
1810010	Quick Release Pin Suspension
2510028	Battery Lock
2510061	Cover Handcontrol
1130120	Cap Ø32
1101588	4mm red Polyester/cotton cord
1101587	Knob Red (Cord End)
2510003	Emergency Stop Knob
2510002	Emergency Lowering Switch
2510099	Tube 6/8mm red Length 40 cm
2510145	Brake 24V DC
2510137	6-kant nøkkel 90-grader
2510136	6-kant nøkkel rett
2510001	Motor Assy Molift Air
2510041	Quick release unit
2510077	Quick release for alu suspension
2510035	Label emergency stop/lowering
2510060	Label Service/battery
2510079	Label emergency lowering
1220194	Extension Spring
1220116	Microswitch
2510146	Hexagon sleeve
1431011	Set Screw