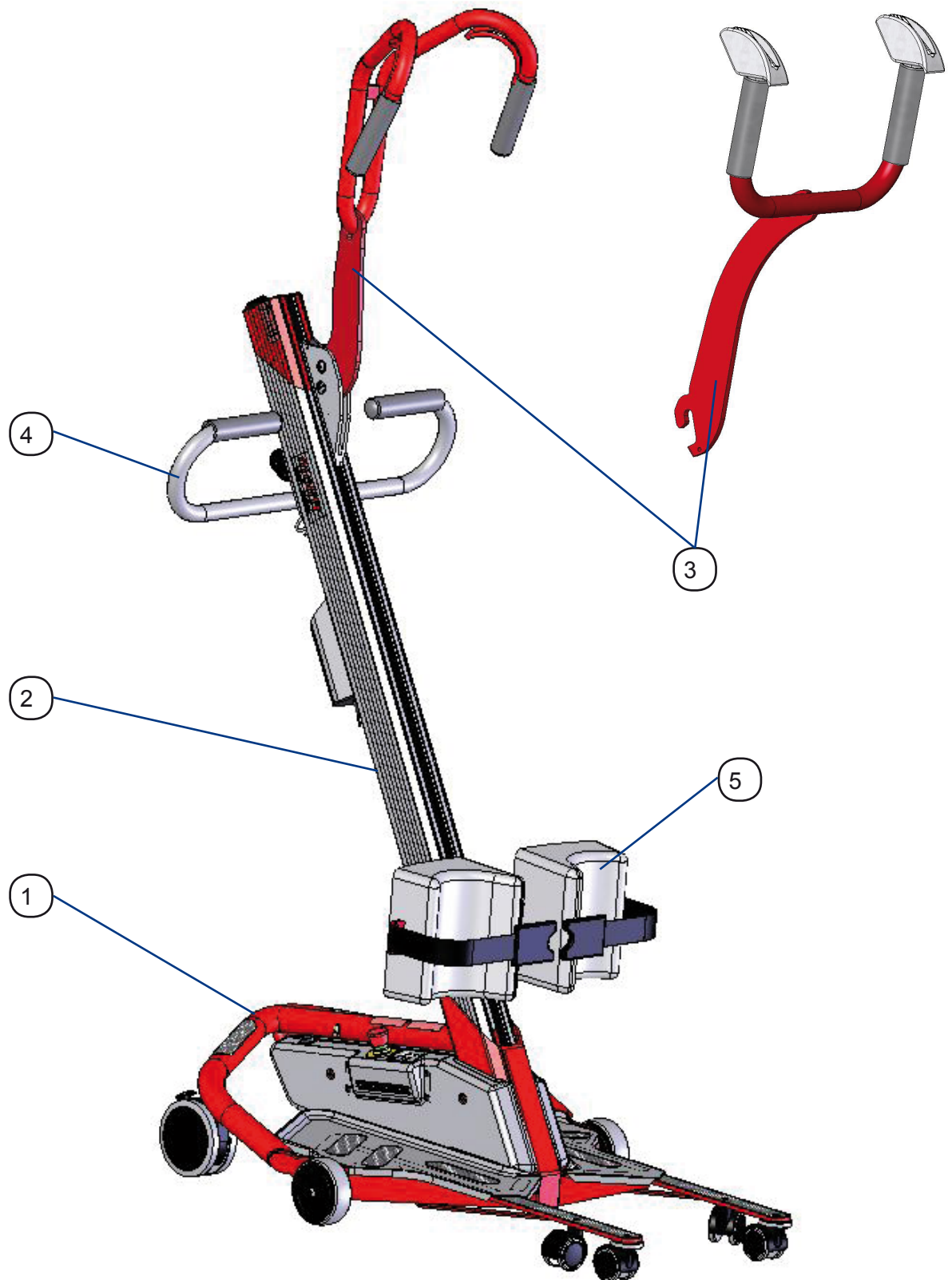


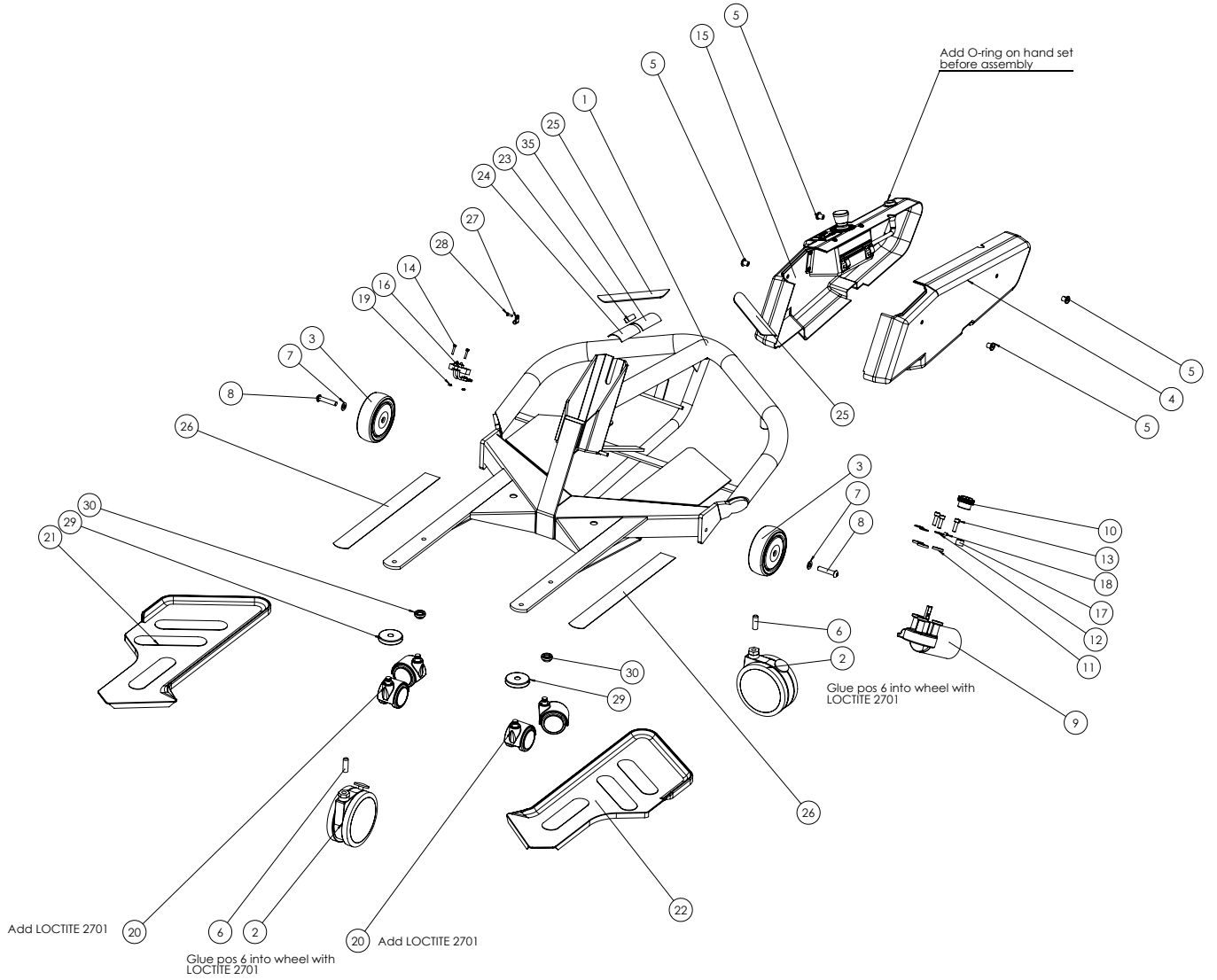


## Main Components



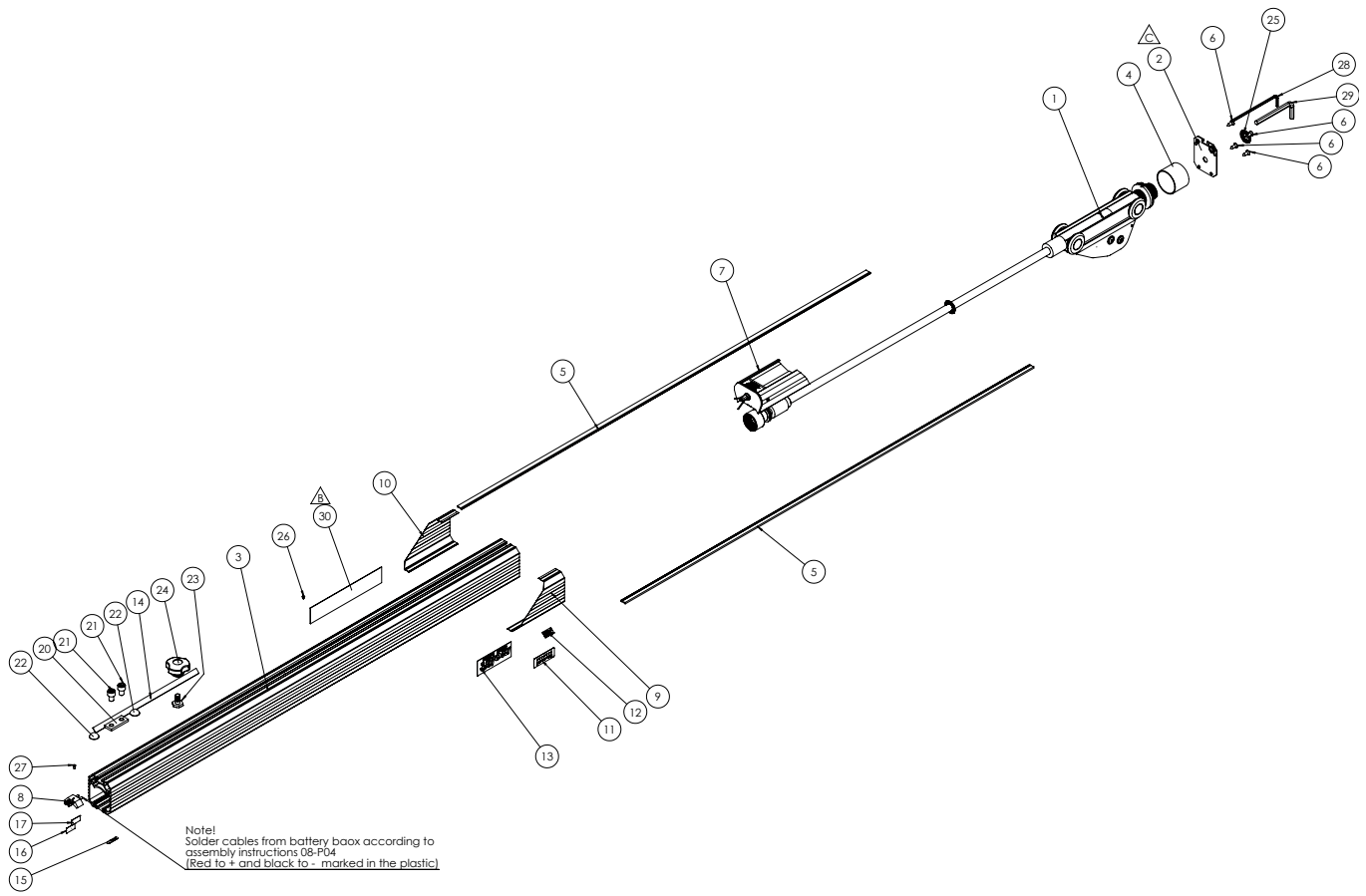


Chassis w/ legs





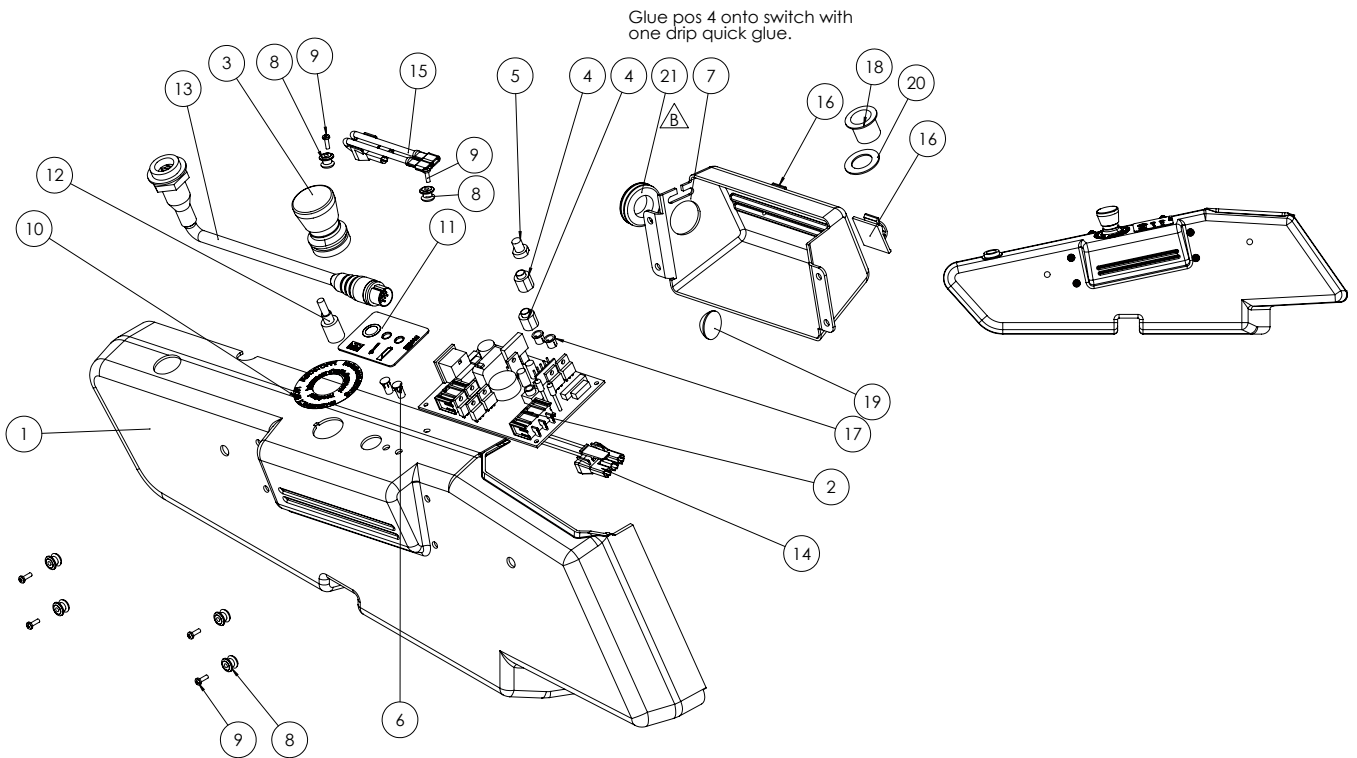
# Lifting column





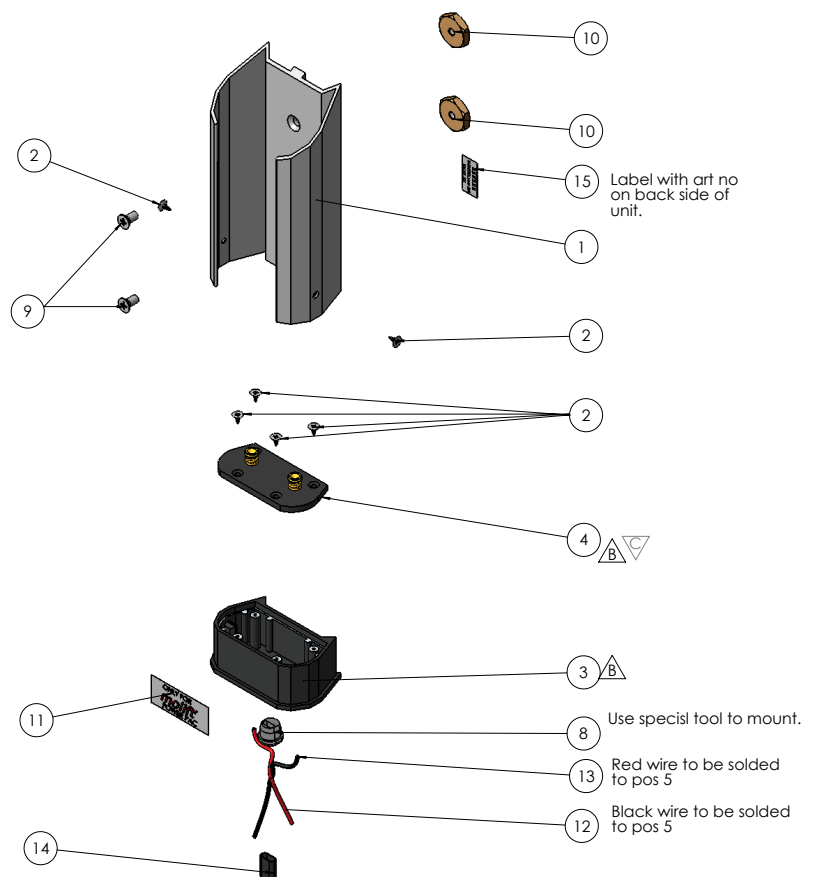
**Cover with electronics QR2**

Fig 1



**Battery holder**

Fig 2







**Knee support complete**  
Fig 1

