

Spare Parts Catalogue

Version: 2020/08/18a EN



Invacare® **Birdie**



Yes, you can.®

General Information

For any order of spare parts the following information is required:

- Product type*
- Product name & model*
- Serial Number*
- Part-Number*
- Part-Description*

Exploded view drawings and code numbers are not contractual and subject to modification, in relation to Invacare® continuous product improvement policy to meet end users needs.

The reproduction or use of this work, or of any substantial part of this work, in any form or by any electronic, mechanical or other means, including photocopying, scanning and recording, and in any information storage and retrieval system, including electronic transmission, is forbidden without the prior written permission of Invacare® International Sarl.



Yes, you can.®

TABLE OF CONTENTS

Colour specifications

Steel and plastic colours	5
---------------------------------	---

Base and legs

Base with manual leg spread, Birdie and Birdie Compact	6
Pedal mechanism assembly	8
Pedal with rubber pads	9
Ø75 mm front castors	10
Ø100 mm front castors	11
Ø75 mm rear castors with brake, for manual leg spread	12
Ø100 mm rear castors with brake, for manual leg spread	13
Leg assembly	14
Base with electrical leg spread, Birdie and Birdie Plus	15
Ø75 mm front castors	10
Ø100 mm front castors	11
Ø75 mm rear castors with brake, for elec. leg spread	16
Ø100 mm rear castors with brake, for elec. leg spread	17
Ø125 mm rear castors with brake, for elec. leg spread	18
Leg assembly	14

Electrical parts

Control units	19
Actuator for Boom, Birdie Compact	20
Actuator for Boom, Birdie & Birdie Plus	21
Actuator for elec. leg spread, Birdie	22
Actuator for elec. leg spread, Birdie Plus	23
Hand controls for Birdie	24

Mast and Boom

Mast and Boom assembly	25
------------------------------	----



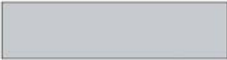

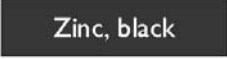
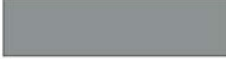










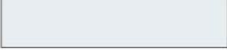
Spreader Bars

Spreader bar 2 points (350/450/550 mm)	27
Spreader bar 4 points (450/550 mm)	28

Spareparts for Accessories

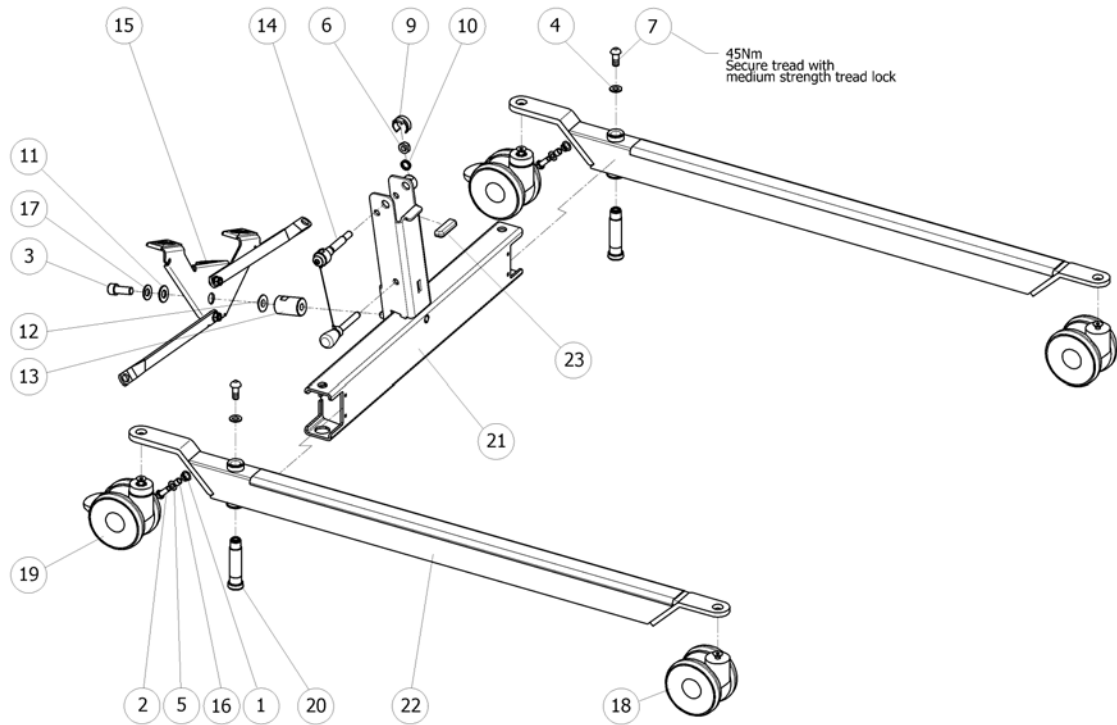
Scale and Attachment	29
----------------------------	----

Steel and plastic colours

Chromated, glossy	0001		0153		7035
Zinc, natural	0002		0154		7039
Zinc, black	0003		1015		7042
Anodized, black	0004		3004		7046
Anodized, natural	0005		5002		8016
Chromated, matte	0011		7012		9005
	0150		7016		9006
	0151		7032		9010
	0152		NB: Colours are for reference only Not all colours are available for all products		

Pos.	Part number	Description	Valid from → until	Qty
	ISP1505835	Not for separate sale - please contact Invacare		1

Base with manual leg spread, Birdie and Birdie Compact



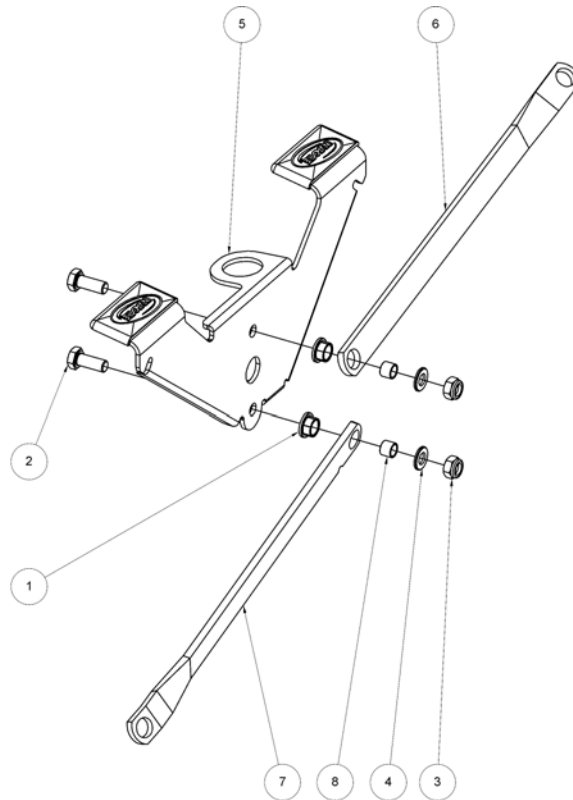
ISPS1511111

Pos.	Part number	Description	Valid from → until	Qty
1	SP420625-7035	Bearing bushing Ø10,2/Ø12,9/Ø16,5x5,7 Qty.2		2
2	SP803004	Screw M8x20 Qty.2 <i>Replace 803004</i>		2
3	SP803066	Screw Chc M12x30 mm, self locking <i>Replace 803066</i>		1
4	SP803847	Washer M10 DIN125B Qty.2		2
5	SP804200	Washer ISO7090 M08 zn Qty.2 <i>Replace 804200</i>		2
6	SP806651	Lock Nut M10 self-locking DIN985 ELZN <i>Replace 806651</i>		1
7	SP817264	Screw M10x25 St. 10.9 Qty.2 <i>Replace 817264</i>		2
9	SP1509369-7012	Nut clips on Base Birdie/Birdie Compact <i>Replace 1509369-7012</i>		1
10	SP1510029	Washer Ø17/Ø12,5x3 stainless Qty.2 <i>Replace 1510029</i>		1
11	SP1510215	Washer Ø28/Ø12x2 brass Qty.2 <i>Replace 1510215</i>		1
12	SP1510216	Washer Ø18/Ø12x3 brass Qty.2 <i>Replace 1510216</i>		1
13	SP1510217-7012	Pedal axle for Birdie/ISA lifters <i>Replace 1510217-7012</i>		1
14	SP1510506	Handle kit for mast/base assembly, Birdie <i>Replace 1510506</i>		1
15	-	Pedal mechanism assembly		1
16	SP1514737	Bushing Ø10/Ø8x8 stainless Qty.2 <i>Replace 1514737</i>		2
17	SP1514849	Washer, spring, Ø25/Ø12,2x1,5 Qty.2 <i>Replace 1514849</i>		1
18	-	Ø75 mm front castors		2
18	-	Ø100 mm front castors		2
19	-	Ø75 mm rear castors with brake, for manual leg spread		2
19	-	Ø100 mm rear castors with brake, for manual leg spread		2
20	SP1526963	Bolt M10 special <i>Replace 1526963</i>		2

Base with manual leg spread, Birdie and Birdie Compact

Pos.	Part number	Description	Valid from → until	Qty
21	SP1528042-7012	Base for Birdie Compact, RAL 7012 <i>Replace 1528042-7012</i>		1
21	SP1528043-7012	Base for Birdie, RAL 7012 <i>Replace 1528043-7012</i>		1
22	-	Leg assembly		2
23	SP1545308-7012	Padded insert plastic		1

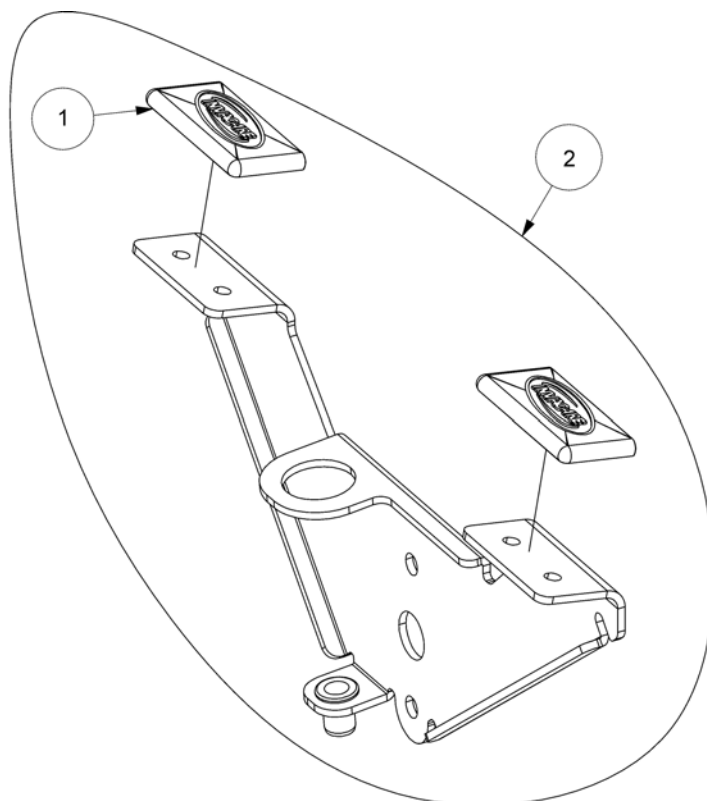
Pedal mechanism assembly



!SP51510807

Pos.	Part number	Description	Valid from → until	Qty
1	SP420625-7035	Bearing bushing Ø10,2/Ø12,9/Ø16,5x5,7 Qty.2		2
2	SP803004	Screw M8x20 Qty.2 <i>Replace 803004</i>		2
3	SP803927	Locknut M8 Z HFC 840 DIN 985-8 Qty.2 <i>Replace 803927</i>		2
4	SP804200	Washer ISO7090 M08 zn Qty.2 <i>Replace 804200</i>		2
8	SP1514737	Bushing Ø10/Ø8x8 stainless Qty.2 <i>Replace 1514737</i>		2
5	-	Pedal with rubber pads		1
6	SP1511880-7012	Left connecting rod, Birdie Compact <i>Replace 1511880-7012</i>		1
6	SP1511881-7012	Left connecting rod, Birdie <i>Replace 1511881-7012</i>		1
7	SP1511854-7012	Right connecting rod (with dent), Birdie Compact <i>Replace 1511854-7012</i>		1
7	SP1511882-7012	Right connecting rod (with dent), Birdie <i>Replace 1511882-7012</i>		1

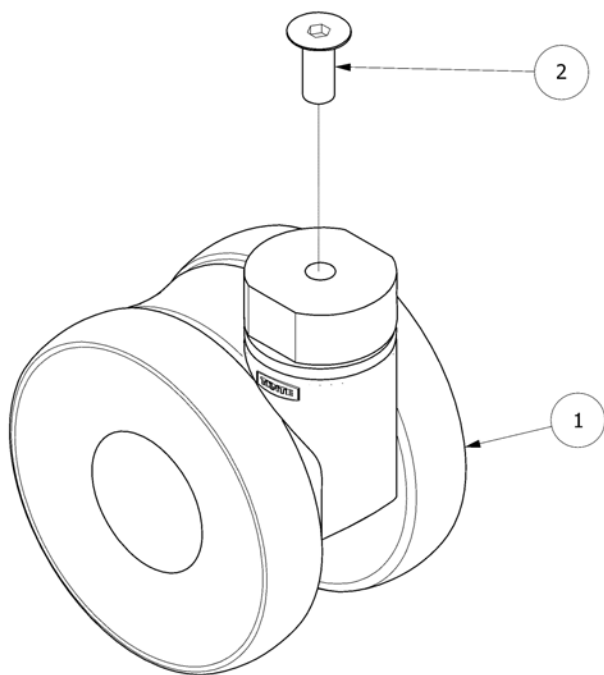
Pedal with rubber pads



ISPS1510809

Pos.	Part number	Description	Valid from → until	Qty
1	SP1509450-7012	Rubber Pad for Pedals, RAL 7012 <i>Replace 1509450-7012</i>		2
2	SP1510809-7012	Pedal with rubber pads, RAL 7012 <i>Replace 1510809-7012</i>		1

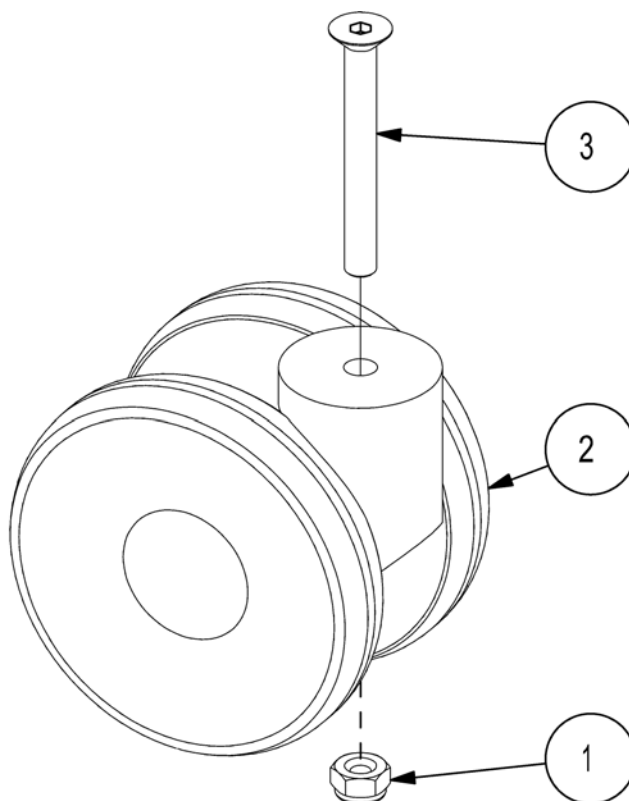
Ø75 mm front castors



ISPS1510642

Pos.	Part number	Description	Valid from → until	Qty
1	SP1426519	Castor 75mm for Birdie/Birdie Compact <i>For Birdies produced before Dec-2015 it's recommended to order two castors - Replace 1426519</i>		1
2	SP1426737	Screw M8x20 Qty.2 <i>Replace 1426737</i>		1

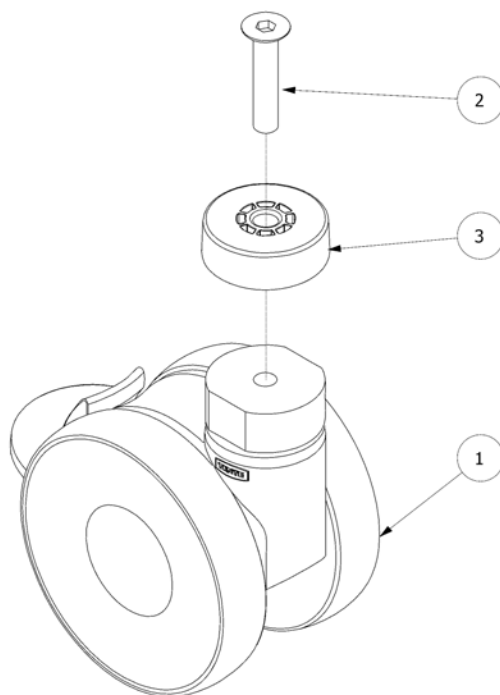
Ø100 mm front castors



!SPS1518385

Pos.	Part number	Description	Valid from → until	Qty
1	SP803927	Locknut M8 Z HFC 840 DIN 985-8 Qty.2 <i>Replace 803927</i>		1
2	SP1511489	Castor front 100mm for Birdie <i>Replace 1511489</i>		1
3	SP1518383	Screw M8x70 St. 10.9 ISO 10642 Qty.2 <i>Replace 1518383</i>		1

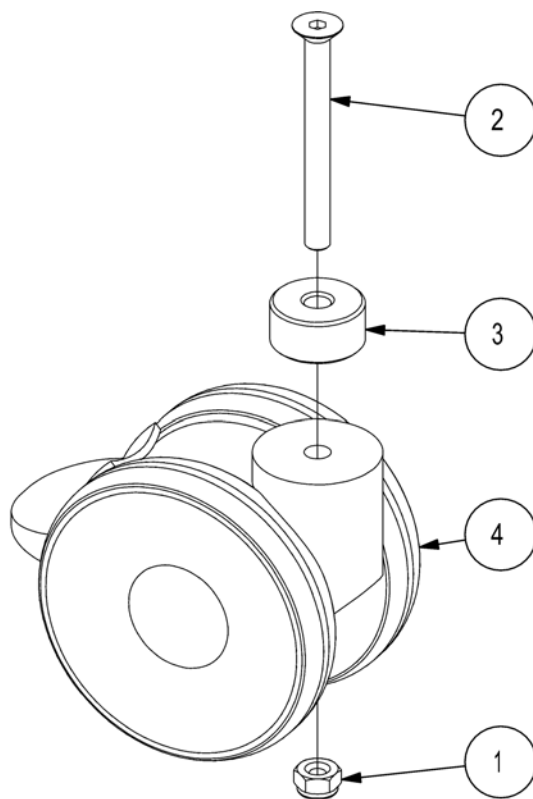
Ø75 mm rear castors with brake, for manual leg spread



ISPS1510645

Pos.	Part number	Description	Valid from → until	Qty
1	SP1423369	Castor 75mm w brake for Birdie/Birdie Compact <i>Replace 1423369</i>		1
2	SP1509735	Screw M8x40 St. 10.9 ISO 10642 Qty.2 <i>Replace 1509735</i>		1
3	SP1523115-7012	Bushing Ø40/Ø8x15 RAL 7012 <i>Replace 1523115-7012</i>		1

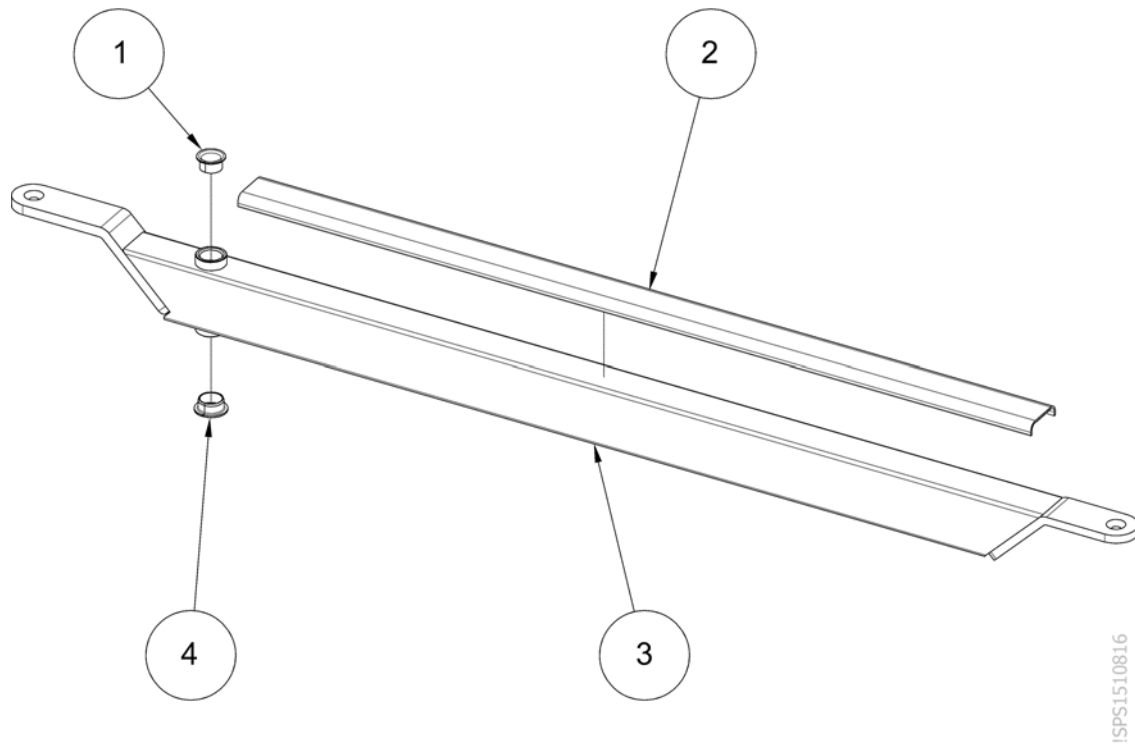
Ø100 mm rear castors with brake, for manual leg spread



!SPS1518386

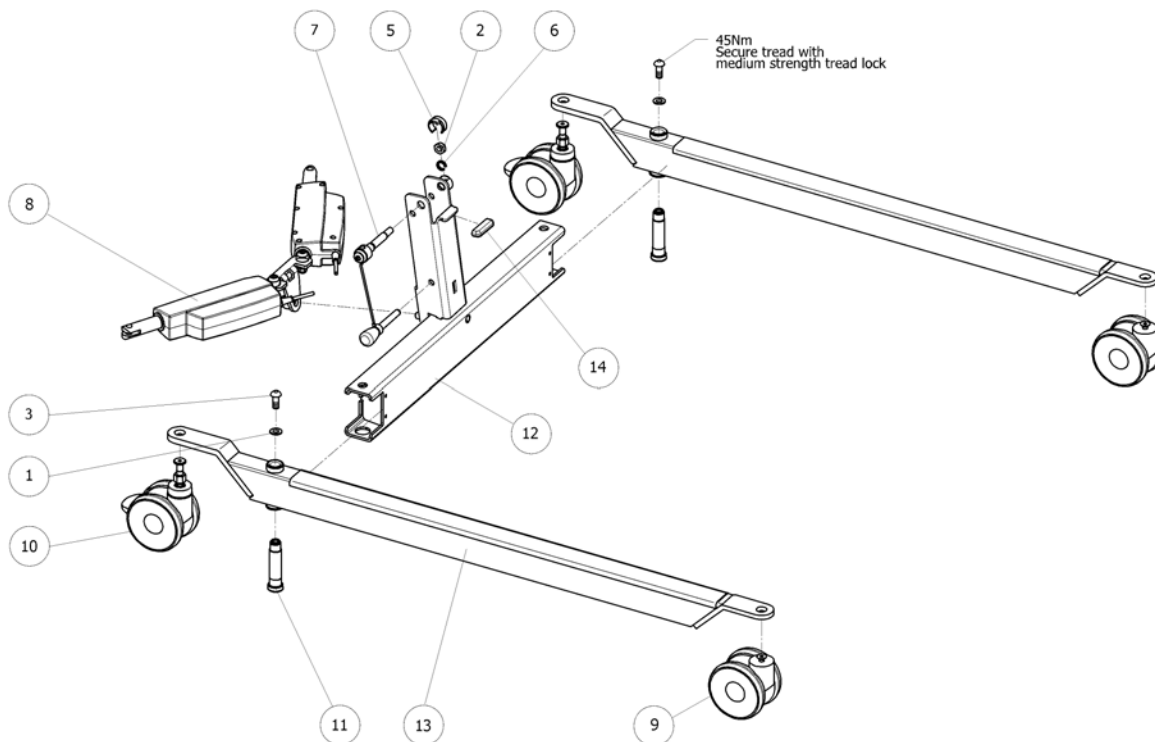
Pos.	Part number	Description	Valid from → until	Qty
1	SP803927	Locknut M8 Z HFC 840 DIN 985-8 Qty.2 <i>Replace 803927</i>		1
2	SP1509733	Screw M8x80 St. 10.9 ISO 10642 Qty.2 <i>Replace 1509733</i>		2
3	SP1523115-7012	Bushing Ø40/Ø8x15 RAL 7012 <i>Replace 1523115-7012</i>		1
4	SP1511582	Castor 100 mm, back, Birdie <i>Replace 1511582</i>		1

Leg assembly



Pos.	Part number	Description	Valid from → until	Qty
1	SP1441496	Ø18 PTFE bearing Qty.2 <i>Replace 1441496</i>		1
2	SP1511080-7012	Protective rail, Birdie Compact <i>Replace 1511080-7012</i>		1
2	SP1511104-7012	Protective rail, Birdie, Birdie Plus <i>Replace 1511104-7012</i>		1
3	SP1527595-7012	Leg, Birdie Compact, RAL 7012 <i>Replace 1527595-7012</i>		1
3	SP1527632-7012	Leg, Birdie, RAL 7012 <i>Replace 1527632-7012</i>		1
3	SP1527634-7012	Leg, Birdie Plus, RAL 7012 <i>Replace 1527634-7012</i>		1
4	SP1528776	Ø20 PTFE bearing Qty.2 <i>Replace 1528776</i>		1

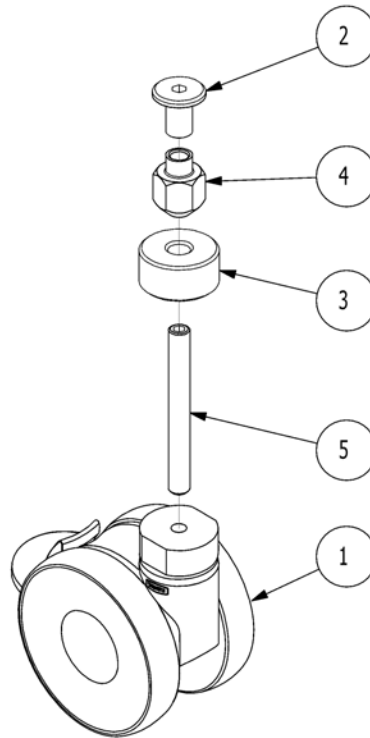
Base with electrical leg spread, Birdie and Birdie Plus



ISPS1511358

Pos.	Part number	Description	Valid from → until	Qty
1	SP803847	Washer M10 DIN125B Qty.2		2
2	SP806651	Lock Nut M10 self-locking DIN985 ELZN <i>Replace 806651</i>		1
3	SP817264	Screw M10x25 St. 10.9 Qty.2 <i>Replace 817264</i>		2
5	SP1509369-7012	Nut clips on Base Birdie/Birdie Compact <i>Replace 1509369-7012</i>		1
6	SP1510029	Washer Ø17/Ø12,5x3 stainless Qty.2 <i>Replace 1510029</i>		1
7	SP1510506	Handle kit for mast/base assembly, Birdie <i>Replace 1510506</i>		1
9	-	Ø75 mm front castors		2
9	-	Ø100 mm front castors		2
10	-	Ø75 mm rear castors with brake, for elec. leg spread		2
10	-	Ø100 mm rear castors with brake, for elec. leg spread		2
10	-	Ø125 mm rear castors with brake, for elec. leg spread		2
11	SP1526963	Bolt M10 special <i>Replace 1526963</i>		2
12	SP1528043-7012	Base for Birdie, RAL 7012 <i>Replace 1528043-7012</i>		1
12	SP1528044-7012	Base for Birdie Plus, RAL 7012		1
13	-	Leg assembly		2
14	SP1545308-7012	Padded insert plastic		1

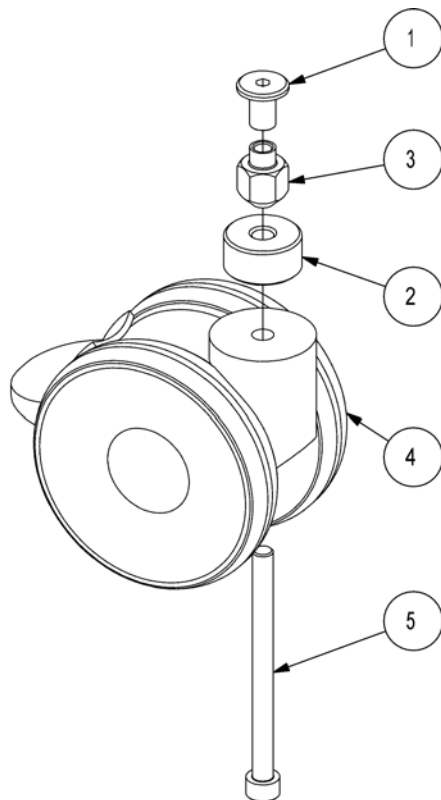
Ø75 mm rear castors with brake, for elec. leg spread



ISPS1510802

Pos.	Part number	Description	Valid from → until	Qty
1	SP1423369	Castor 75mm w brake for Birdie/Birdie Compact <i>Replace 1423369</i>		1
2	SP1509737	Nut, furniture M8x16, Ø20/Ø10 Qty.2 <i>Replace 1509737</i>		1
3	SP1523115-7012	Bushing Ø40/Ø8x15 RAL 7012 <i>Replace 1523115-7012</i>		1
4	SP1509910-0002	Nut M8, special Qty.2 <i>Replace 1509910-0002</i>		1
5	SP1510562	Screw M8x70 St. 14.9 ISO 4026 <i>Replace 1510562</i>		1

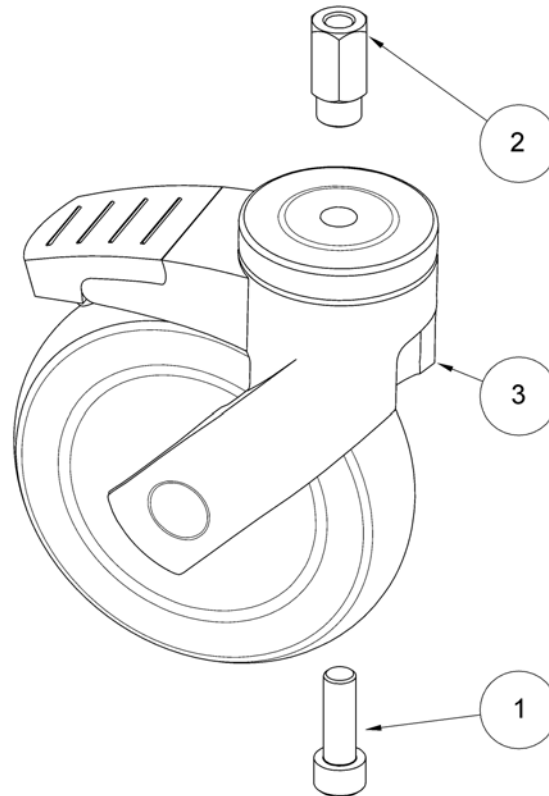
Ø100 mm rear castors with brake, for elec. leg spread



!SPS1518387

Pos.	Part number	Description	Valid from → until	Qty
1	SP1509737	Nut, furniture M8x16, Ø20/Ø10 Qty.2 <i>Replace 1509737</i>		1
2	SP1523115-7012	Bushing Ø40/Ø8x15 RAL 7012 <i>Replace 1523115-7012</i>		1
3	SP1509910-0002	Nut M8, special Qty.2 <i>Replace 1509910-0002</i>		1
4	SP1511582	Castor 100 mm, back, Birdie <i>Replace 1511582</i>		1
5	SP1518384	Screw M8x100 St. 8.8 ISO 4762 Qty.2 <i>Replace 1518384</i>		1

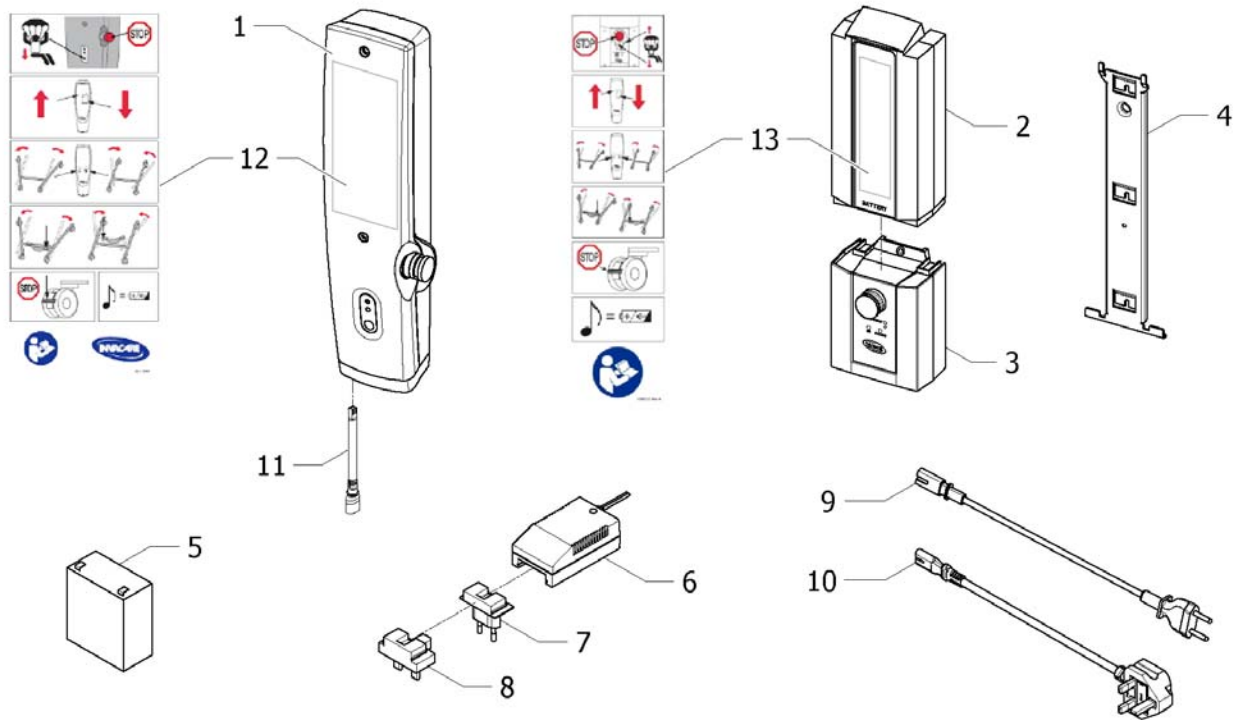
Ø125 mm rear castors with brake, for elec. leg spread



!SPS1522073

Pos.	Part number	Description	Valid from → until	Qty
1	SP803057	Screw M10x30 8.8 ISO4762 <i>Replace 803057</i>		1
2	SP1522176-0002	Nut M8, special Qty.2 <i>Replace 1522176-0002</i>		1
3	SP1522221	Castor, Ø125 with brake <i>Replace 1522221</i>		1

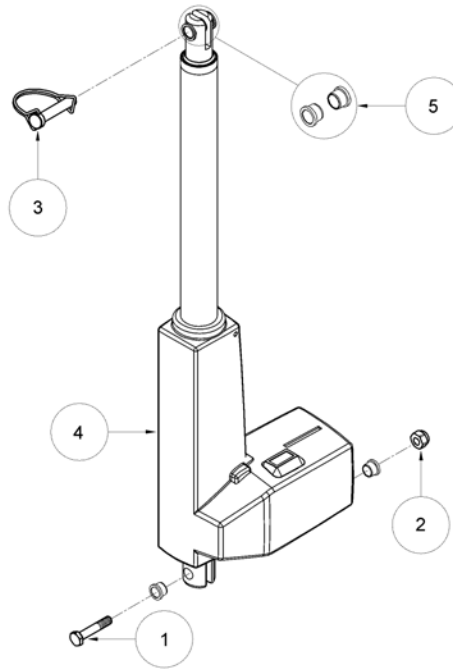
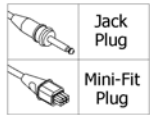
Control units



ISPS1510371

Pos.	Part number	Description	Valid from → until	Qty
1	SP1575044-7035	Control unit 1 Channel CBJ-Home manual leg 150Kg		1
1	SP1575043-7035	Control box 1 Channel HomeCare Man Leg 170Kg		1
1	SP1575046-7035	Control unit 1 Channel CBJ-Home manual leg 180Kg		1
1	SP1575047-7035	Control box 2 Channel HomeCare Elec Leg 170Kg		1
1	SP1575048-7035	Control unit 2 Channel CBJ-Home electrical leg 180Kg		1
2	SP1514573-7035	Battery for CBJ control units		1
3	SP1522196-7035	Control unit CBJ1 for elec. leg spread, with Ø6,3 Jack		1
3	SP1574996-7035	Control box 1 Channel Jumbo Care Manual Leg 150Kg		1
3	SP1575023-7035	Control box 1 ChannelJumbo Care Man Leg 170Kg		1
3	SP1574997-7035	Control unit 1 Channel CBJ-Care manual leg 180Kg		1
3	SP1627108-7035	Control box 1 Channel LoBatt Manual Leg 180kg	2017-01-02 →	1
3	SP1608348-7035	Control box 1 Channel LoBatt Manual Leg 150Kg	2017-01-02 →	1
3	SP1575024-7035	Control box 2 Channels Jumbo Care ElecLeg 170Kg		1
3	SP1574998-7035	Control unit 2 Channels CBJ-Care electrical leg 180Kg for Birdie EVO		1
3	SP1627109-7035	Control box 2 Channels LoBatt Elec Leg 180kg	2017-01-02 →	1
4	SP1514574-0002	Bracket for CBJ1, CBJ2 or CBJ-Home control units <i>Replace 1514574-0002</i>		1
5	SP1420622	Battery 2,9 Ah (1 pcs) <i>Replace 1420622</i>		2
6	SP1514576-9005	Charger CH01, Birdie/Compact / EVO & EVO COMPACT (1 pc per hoist) please, order the adaptor <i>Replace 1514576-9005</i>		1
7	SP1514613-9005	EU plug adaptor for charger <i>Replace 1514613-9005</i>		1
8	SP1533127-9005	UK plug adaptor for charger <i>Replace 1533127-9005</i>		1
9	SP1511583-7035	Mains cable, EU plug <i>Replace 1511583-7035</i>		1
10	SP1511686-7035	Mains Cable, UK plug <i>Replace 1511686-7035</i>		1
11	SP60110685	Internal charger socket for CBJ Home		1
12	SP1511759	Label, CBJ Home control unit with man leg spread		1
13	SP1528280	Label for CBJ2 control unit with elec. leg spread		1

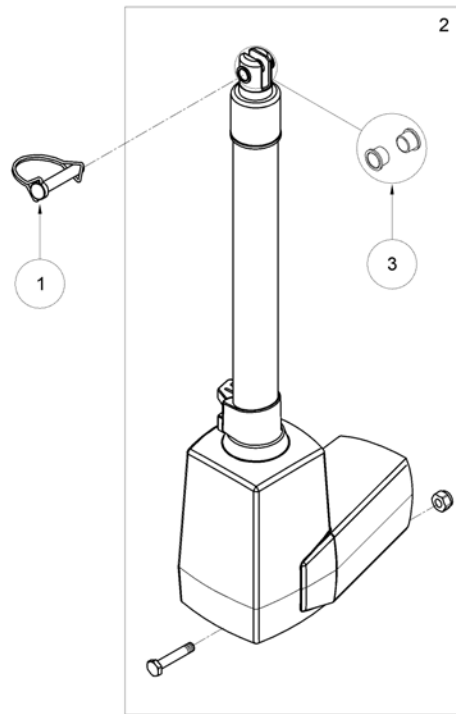
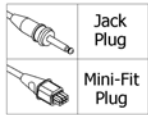
Actuator for Boom, Birdie Compact



ISP1510818

Pos.	Part number	Description	Valid from → until	Qty
1	SP802719	Steel bolt M10x55 Qty.2 <i>Only for Birdie Compact actuator - Replace 802719</i>		1
2	SP806651	Lock Nut M10 self-locking DIN985 ELZN <i>Replace 806651</i>		1
3	SP1627246	Locking pin Ø10x50 Birdie EVO/COMPACT/PLUS		1
4	SP1510354-7035	Actuator for Birdie Compact 150kg, Fixed battery/CB, Mini-Fit		1
4	SP1514572-7035	Actuator Birdie Compact 150kg, Detachable battery/control box, jack	2008-01-01 → 2008-08-01	1
5	SP60121881-7035	Plastic bushing for Linak LA31 actuator, Qty.2		1

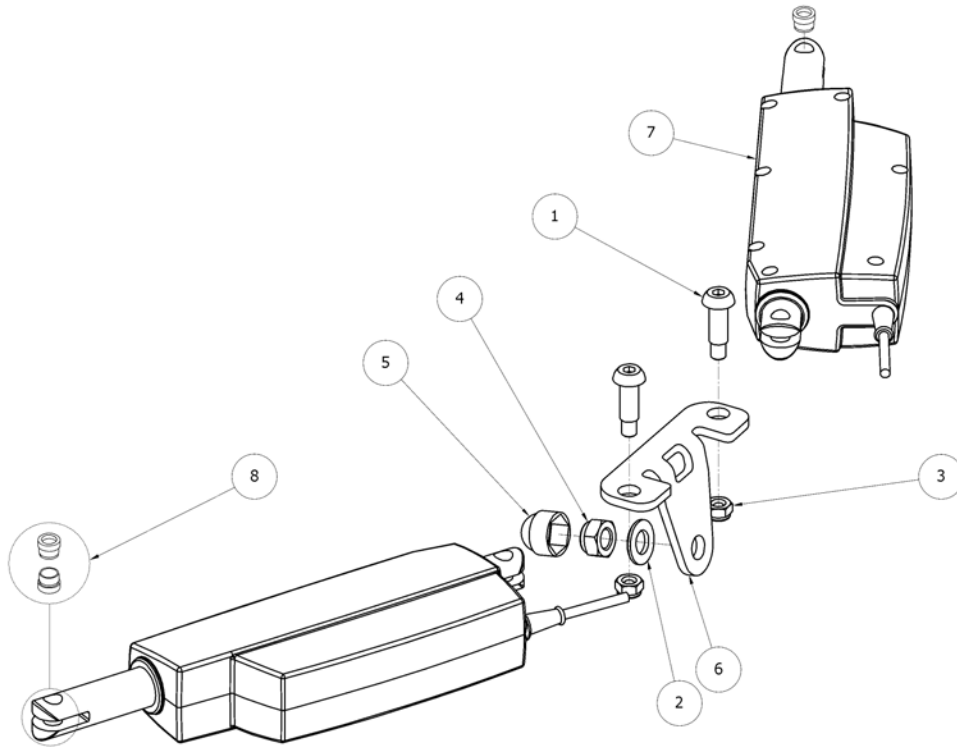
Actuator for Boom, Birdie & Birdie Plus



ISPS1657043

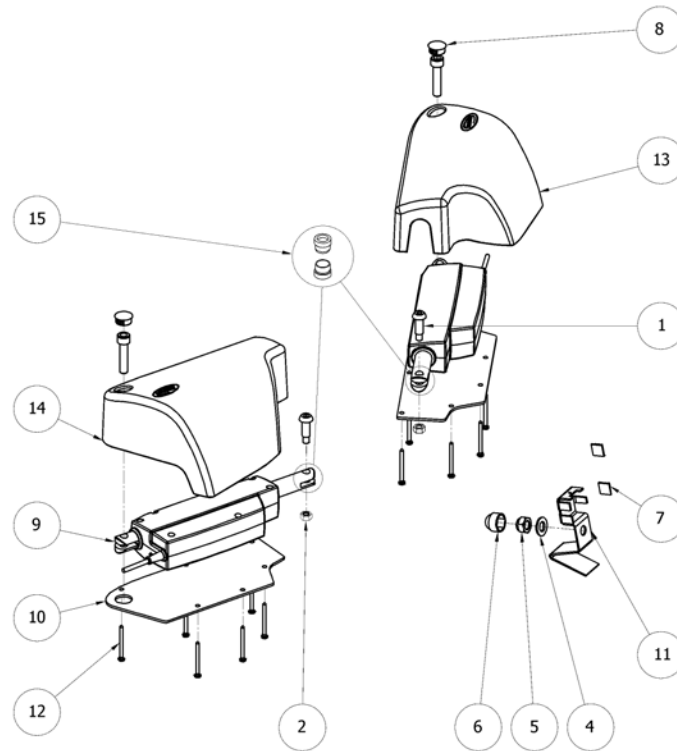
Pos.	Part number	Description	Valid from → until	Qty
1	SP1627246	Locking pin Ø10x50 Birdie EVO/COMPACT/PLUS		1
2	SP1657018	Kit actuator for Birdie 170/180kg, Fixed battery/CB, Mini-Fit		1
2	SP1657022	Kit actuator Birdie 170/180kg, Detachable battery/CB, Jack		1
2	SP1657023	Kit actuator for Birdie Plus, for CBJ1 control, with Ø6,3 Jack		1
3	SP60121882-7016	Plastic bushing for Linak LA34 actuator, Qty.2		1

Actuator for elec. leg spread, Birdie



ISPS151082Z

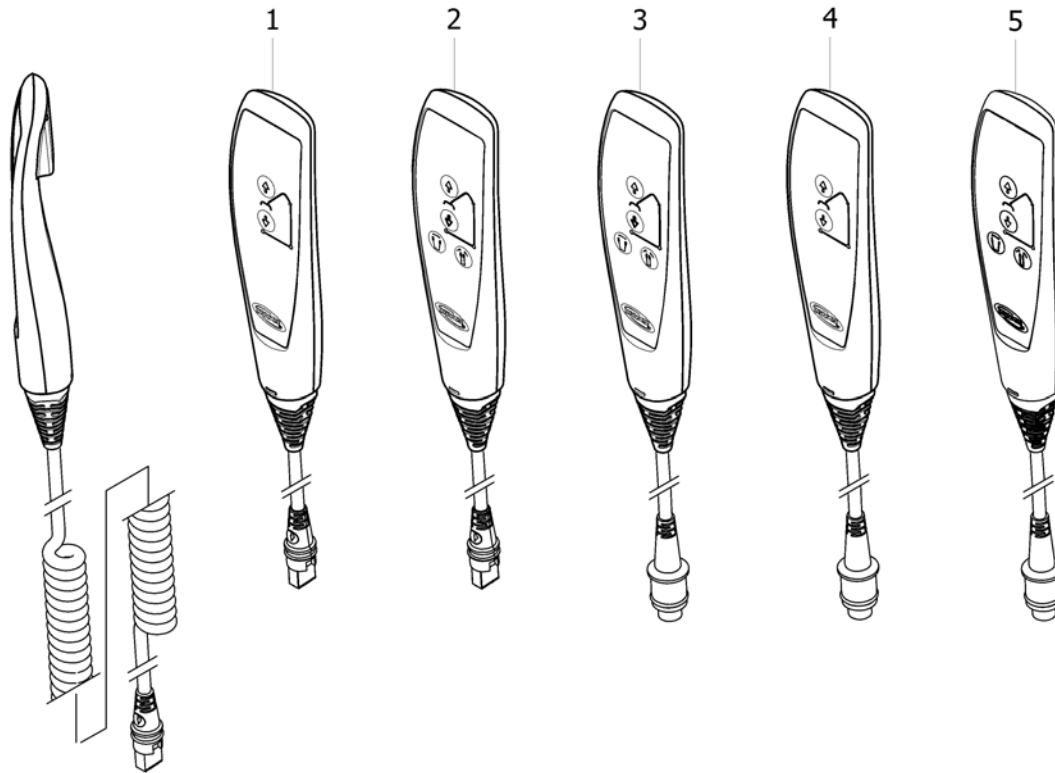
Pos.	Part number	Description	Valid from → until	Qty
1	SP420623	Bolt M8X34M.ESLOCK, Qty.2 <i>Replace 420623</i>		2
2	SP803273	Washer M12 Qty.2 <i>Replace 803273</i>		1
3	SP803927	Locknut M8 Z HFC 840 DIN 985-8 Qty.2 <i>Replace 803927</i>		2
4	SP804481	Locknut M12 Qty.2 <i>Replace 804481</i>		1
5	SP814390-7012	Plastic cap M12, RAL 7012 Qty.2 <i>Replace 814390-7012</i>		1
6	SP1510353-7012	Bracket for elec. leg motor RAL 7012, Birdie <i>Replace 1510353-7012</i>		1
7	SP1510478-9005	Actuator 24v, 2 x LA12, electrical leg Birdie <i>Replace 1510478-9005</i>		1
7	SP1527962-9005	Actuator 24v, 2 x LA12, electrical leg Birdie JumboCare <i>Replace 1527962-9005</i>		1
8	SP60121879-9005	Plastic bushing for Linak LA12 actuator, Qty.2		1

Actuator for elec. leg spread, Birdie Plus

ISPS1522128

Pos.	Part number	Description	Valid from → until	Qty
1	SP420623	Bolt M8X34M.ESLOCK, Qty.2 <i>Replace 420623</i>		1
2	SP802729	Nut M8x40 Qty.2 <i>Replace 802729</i>		2
4	SP803273	Washer M12 Qty.2 <i>Replace 803273</i>		1
5	SP804481	Locknut M12 Qty.2 <i>Replace 804481</i>		1
6	SP814390-7012	Plastic cap M12, RAL 7012 Qty.2 <i>Replace 814390-7012</i>		1
7	SP1426680	Cable clips 4,6x4,1 Qty.2		2
8	SP1510761	Cap Ø20 Qty.2 <i>Replace 1510761</i>		2
9	SP1522132-9005	Motor kit with cable, for leg spread, Birdie Plus <i>Replace 1522132-9005</i>		1
10	SP1522192-7032	Cover bottom plate for leg spread motor, r/l <i>Replace 1522192-7032</i>		2
11	SP1523101-7012	Bracket/Cover steel <i>Replace by SP1523101-7012</i>		1
12	SP1523107	Screw chipboard Ø5x60 PH, PZ2 Qty.2 <i>Replace 1523107</i>		12
13	SP1523806-7012	Cover for leg spread motor, left <i>Replace 1523806-7012</i>		1
14	SP1524060-7012	Cover for leg spread motor, right <i>Replace 1524060-7012</i>		1
15	SP60121879-9005	Plastic bushing for Linak LA12 actuator, Qty.2		1

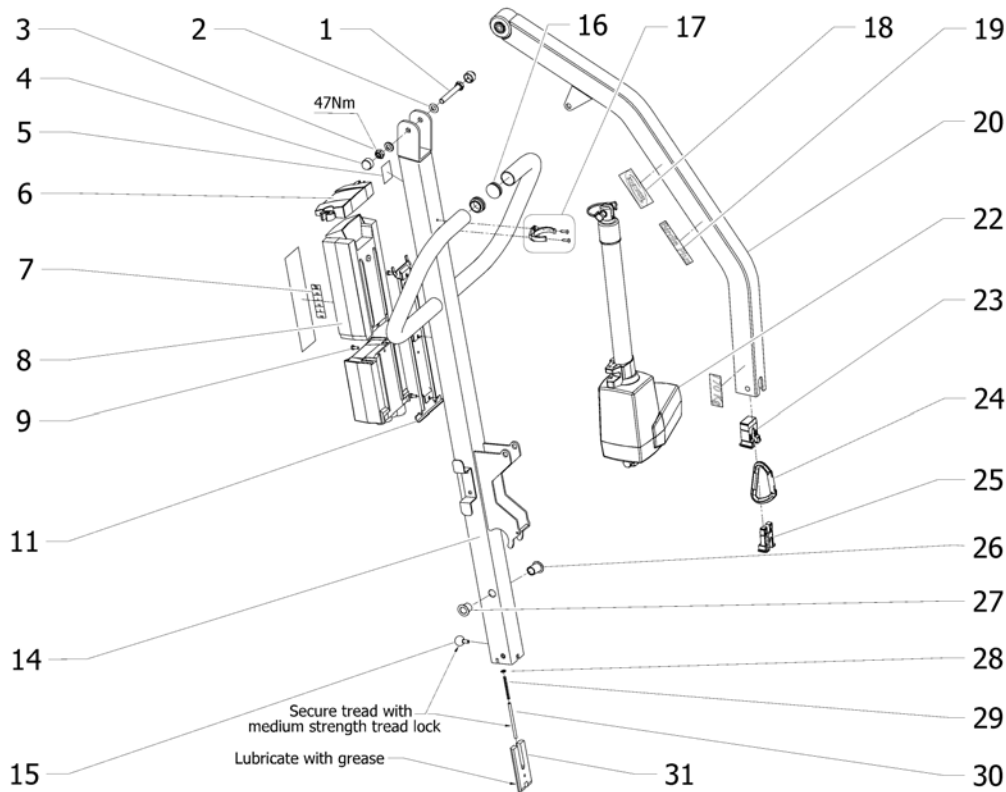
Hand controls for Birdie



ISPS1518396

Pos.	Part number	Description	Valid from → until	Qty
1	SP1509617	Hand ctrl. Up/down button, Fixed batt, Birdie Compact, EVO & EVO COMPACT, ISA COMPACT, STANDARD & PLUS		1
2	SP1509618	Hand ctrl. Up/down & Leg buttons, Fixed batt, Birdie & Birdie EVO, ISA STANDARD & PLUS		1
3	SP1522195	Hand ctrl. Up/down & Leg buttons, Detach batt, Birdie/EVO/PLUS/XPLUS, ISA STANDARD, PLUS & XPLUS		1
4	SP1574990	Hand ctrl. Up/down button, Detach batt, Birdie Compact, EVO & EVO COMPACT, ISA COMPACT, STANDARD & PLUS		1
5	SP1155872	Hand ctrl. Up/down & Leg buttons, Detach batt, Birdie & Birdie EVO, ISA PLUS & XPLUS		1

Mast and Boom assembly

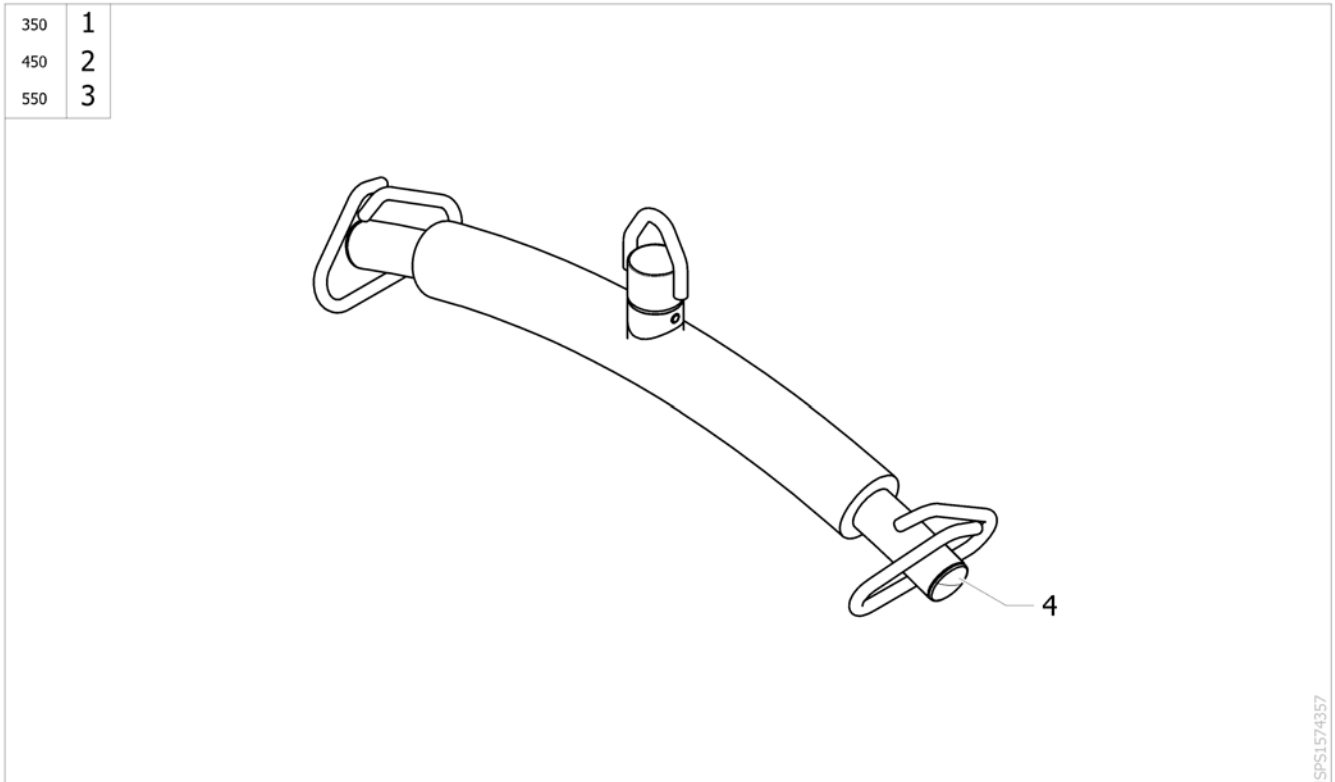


Pos.	Part number	Description	Valid from → until	Qty
1	SP1509739	Screw M10x70 St. 8.8 Qty.2 <i>Replace 1509739</i>		1
2	SP803847	Washer M10 DIN125B Qty.2		2
3	SP806651	Lock Nut M10 self-locking DIN985 ELZN <i>Replace 806651</i>		3
4	SP1426489-7012	Protection for nut M10 RAL 7012 Qty.2 <i>Replace 1426489-7012</i>		4
5	SP1514228	Label TUV Certification		1
6	SP1523789-7035	Cover for battery		1
7	SP1511359	Label with sling sizes <i>Replace 1511359</i>		1
8	SP1514573-7035	Battery for CBJ control units		1
9	SP1509740	Screws for CBJ-Home <i>To be used with CBJ Home control units</i>		1
11	SP1514574-0002	Bracket for CBJ1, CBJ2 or CBJ-Home control units <i>Replace 1514574-0002</i>		1
14	SP1510870-9006	Mast for Birdie, RAL 9006 <i>Replace 1510870-9006</i>		1
14	SP1510871-9006	Mast for Birdie Compact, RAL 9006 <i>Replace 1510871-9006</i>		1
15	SP1510641-7012	Ball grip lever Ø20/M6x13 RAL 7012 <i>Replace 1510641-7012</i>		1
16	SP809982-7012	Ferrule SFL 32 - Birdie/Birdie Compact		2
17	SP1509461-7012	Kit actuator clips for LA34 Birdie (1 pc per hoist) <i>Replace 1509461-7012</i>		1
17	SP1509413-7012	Kit actuator clips for LA31 Birdie Compact (1 pcs per hoist) <i>Replace 1509413-7012</i>		1
18	SP417547	Label Invacare Logo		1
19	SP1509738	Label "Birdie" Qty.2		2
19	SP1509741	Label "Birdie Compact" Qty.2		2
19	SP1522202	Label "Birdie Plus" Qty.2		2
20	SP1510823-9006	Lifting arm Birdie <i>Replace 1510823-9006</i>		1
20	SP1510869-9006	Jib for Birdie Compact, RAL 9006 <i>Replace 1510869-9006</i>		1

Mast and Boom assembly

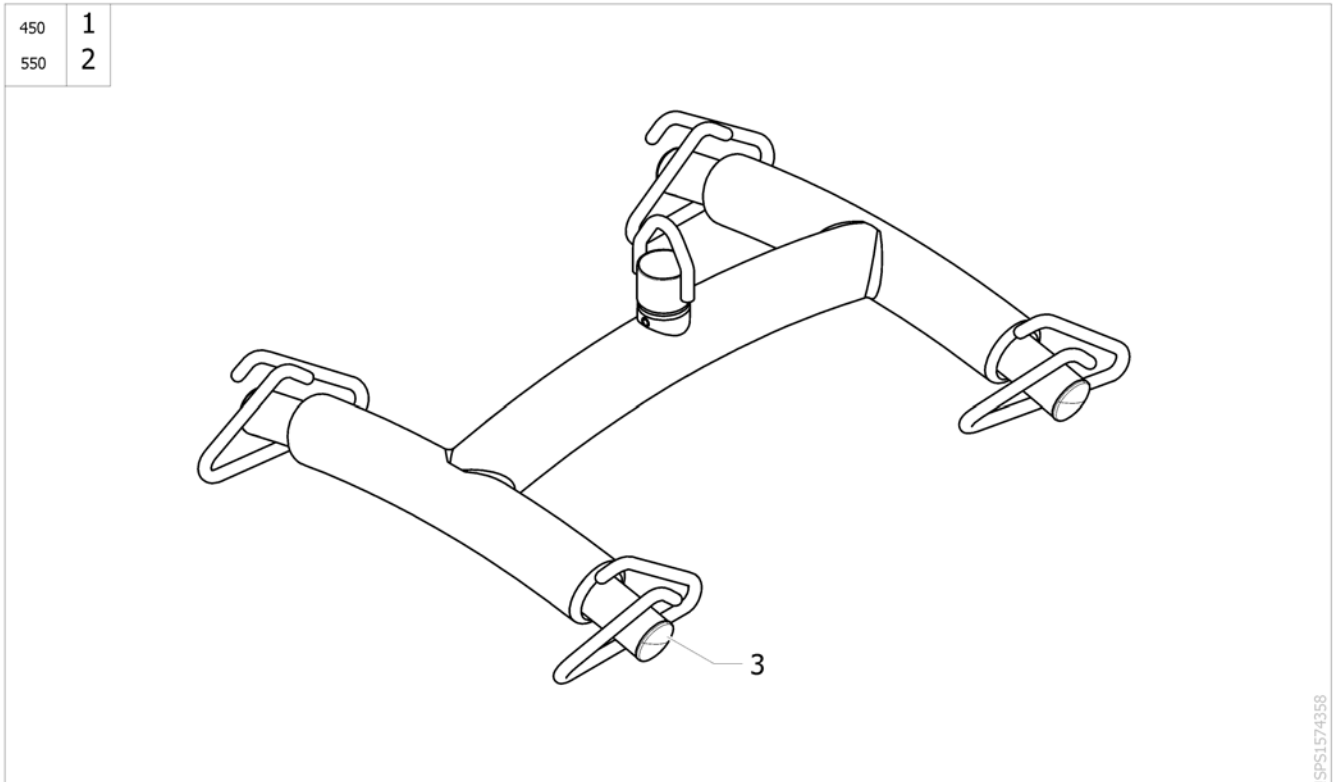
Pos.	Part number	Description	Valid from → until	Qty
22	SP1509742	Label "150 kg" Qty.2 <i>Replace 1509742</i>		2
22	SP1509743	Label "170 kg" Qty.2 <i>Replace 1509743</i>		2
22	SP1575026	Label "180 kg" Qty.2		2
23	SP1509328-7012	Ferrule 1 on jib Birdie/Birdie Compact (1 pcs per hoist) <i>Replace 1509328-7012</i>		1
24	1603096	Carabiner kit for spreader bar, Birdie (EU) <i>Replace SP1449515</i>		1
24	1583279	Carabiner kit for spreader bar, Birdie (UK)		1
24	1603134	Carabiner kit for spreader bar, Birdie Plus		1
25	SP1509329-7012	Ferrule 2 on jib Birdie/Birdie Compact (1 pcs per hoist) <i>Replace 1509329-7012</i>		1
26	SP1510213	Bearing Ø18/Ø12x30.5 Mast		1
27	SP1510212	Bearing Ø18/Ø14x21 Mast		1
28	SP804209	Washer M5 ISO 7090 Qty.2 <i>Replace 804209</i>		1
29	SP1492513	Spring Ø5x0,5x50 <i>Replace 1492513</i>		1
30	SP1510158	Pin Ø5xM5x80 stainless <i>Replace 1510158</i>		1
31	SP1510157-0002	Locking pawl for mast/base Birdie <i>Replace 1510157-0002</i>		1
32	SP1511759	Label, CBJ Home control unit with man leg spread <i>Replace 1511759</i>		1

Spreader bar 2 points (350/450/550 mm)



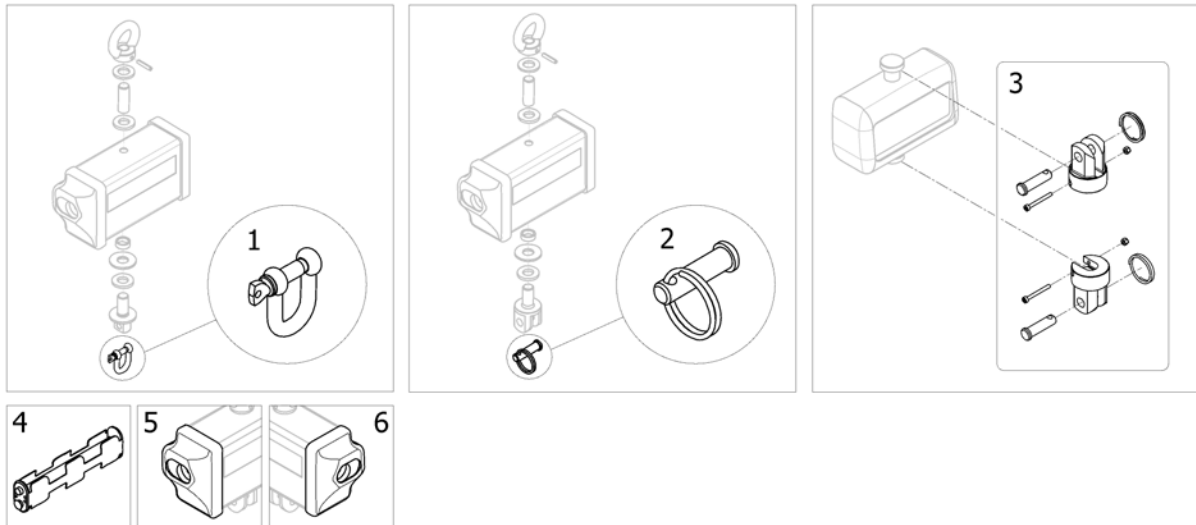
Pos.	Part number	Description	Valid from → until	Qty
1	1582527-0125	Spreader-bar 2pts 350 mm painted		1
2	1526581-0125	Spreader-bar 2pts 450 mm painted		1
3	1526582-0125	Spreader-bar 2pts 550 mm painted		1
4	SP1443855-7012	Ferrule Inside Diameter 30x3 (RAL 7012) Qty.2		2

Spreader bar 4 points (450/550 mm)



Pos.	Part number	Description	Valid from → until	Qty
1	1526583-0125	Spreader-bar 4pts 450 mm painted		1
2	1526584-0125	Spreader-bar 4pts 550 mm painted		1
3	SP1443855-7012	Ferrule Inside Diameter 30x3 (RAL 7012) Qty.2		2

Scale and Attachment



ISPS1569994

Pos.	Part number	Description	Valid from → until	Qty
2	SP1584563	Locking pin + ring for scale attachment, HBM	2015-04-01 →	1
3	SP60110753	Scale attachment kit for Birdie, RS300	2019-02-11 →	1
4	SP1641530	Scale Battery holder	→ 2019-02-10	1
5	SP1557840	Scale End Cap Left	→ 2019-02-10	1
6	SP1557839	Scale End Cap Right	→ 2019-02-10	1



Yes, you can.®



Belgium & Luxemburg:

Invacare nv, Autobaan 22, B-8210 Loppem
Tel: (32) (0)50 83 10 10, Fax: (32) (0)50 83 10 11
belgium@invacare.com / www.invacare.be

Denmark:

Invacare A/S, Sdr. Ringvej 37, DK-2605 Brøndby
Tel: (45) (0)36 90 00 00, Fax: (45) (0)36 90 00 01
denmark@invacare.com / www.invacare.dk

Deutschland:

Invacare Aquatec GmbH, Alemannenstraße 10, D-88316 Isny
Tel: (49) (0)75 62 7 00 0, Fax: (49) (0)75 62 7 00 66
info@invacare-aquatec.com / www.invacare-aquatec.de

European Distributor Organisation:

Invacare, Kleiststraße 49, D-32457 Porta Westfalica
Tel: (49) (0)57 31 754 540, Fax: (49) (0)57 31 754 541
edo@invacare.com / www.invacare.eu.com

España:

Invacare SA, c/Areny s/n, Polígon Industrial de Celrà, E-17460 Celrà (Girona)
Tel: (34) (0)972 49 32 00, Fax: (34) (0)972 49 32 20
contactsp@invacare.com / www.invacare.es

France:

Invacare Poirier SAS, Route de St Roch, F-37230 Fondettes
Tel: (33) (0)2 47 62 64 66, Fax: (33) (0)2 47 42 12 24
contactfr@invacare.com / www.invacare.fr

Ireland:

Invacare Ireland Ltd, Unit 5 Seatown Business Campus, Seatown Road, Swords, County Dublin - Ireland
Tel: (353) 1 810 7084, Fax: (353) 1 810 7085
ireland@invacare.com / www.invacare.ie

Italia:

Invacare Mecc San s.r.l., Via dei Pini 62, I-36016 Thiene (VI)
Tel: (39) 0445 38 00 59, Fax: (39) 0445 38 00 34
italia@invacare.com / www.invacare.it

Nederland:

Invacare BV, Celsiusstraat 46, NL-6716 BZ Ede
Tel: (31) (0)318 695 757, Fax: (31) (0)318 695 758
nederland@invacare.com, csede@invacare.com / www.invacare.nl

Norge:

Invacare AS, Grensesvingen 9, Postboks 6230, Etterstad, N-0603 Oslo
Tel: (47) (0)22 57 95 00, Fax: (47) (0)22 57 95 01
norway@invacare.com, island@invacare.com / www.invacare.no

Österreich:

Invacare Austria GmbH, Herzog Odilostrasse 101, A-5310 Mondsee
Tel: (43) 6232 5535 0, Fax: (43) 6232 5535 4
info-austria@invacare.com / www.invacare.at

Portugal:

Invacare Lda, Rua Estrada Velha, 949, P-4465-784 Leça do Balio
Tel: (351) (0)225 1059 46/47, Fax: (351) (0)225 1057 39
portugal@invacare.com / www.invacare.pt

Sverige & Suomi:

Invacare AB, Fagerstagatan 9, S-163 91 Spånga
Tel: (46) (0)8 761 70 90, Fax: (46) (0)8 761 81 08
sweden@invacare.com, finland@invacare.com / www.invacare.se

Switzerland:

Invacare AG, Benkenstrasse 260, CH-4108 Witterswil
Tel: (41) (0)61 487 70 80, Fax: (41) (0)61 487 70 81
switzerland@invacare.com / www.invacare.ch

United Kingdom:

Invacare Limited, Pencoed Technology Park, Pencoed, Bridgend CF35 5AQ
Switchboard Tel: (44) (0)1656 776200, Fax: (44) (0)1656 776201
Customer services Tel: (44) (0)1656 776222, Fax: (44) (0)1656 776220
uk@invacare.com / www.invacare.co.uk