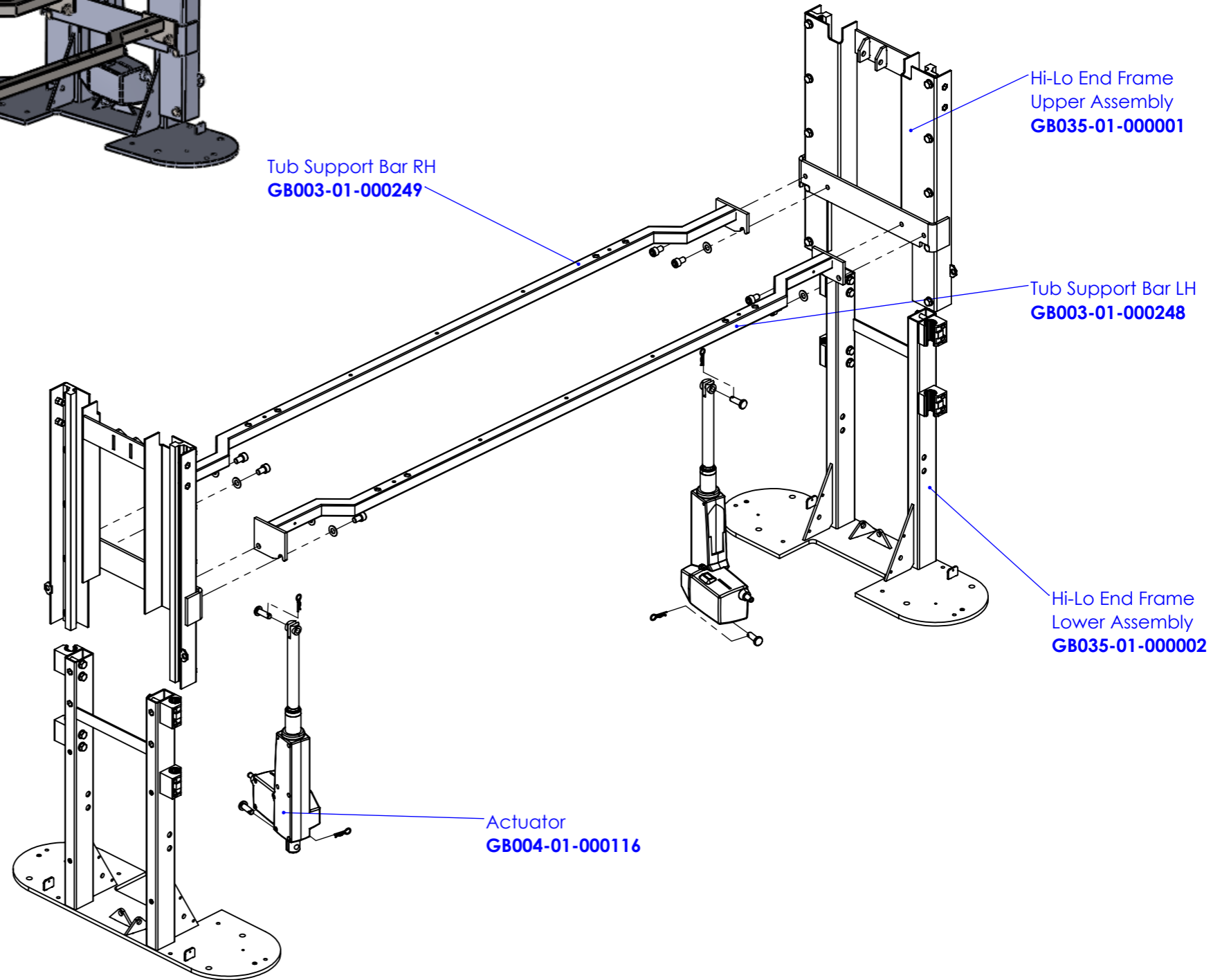
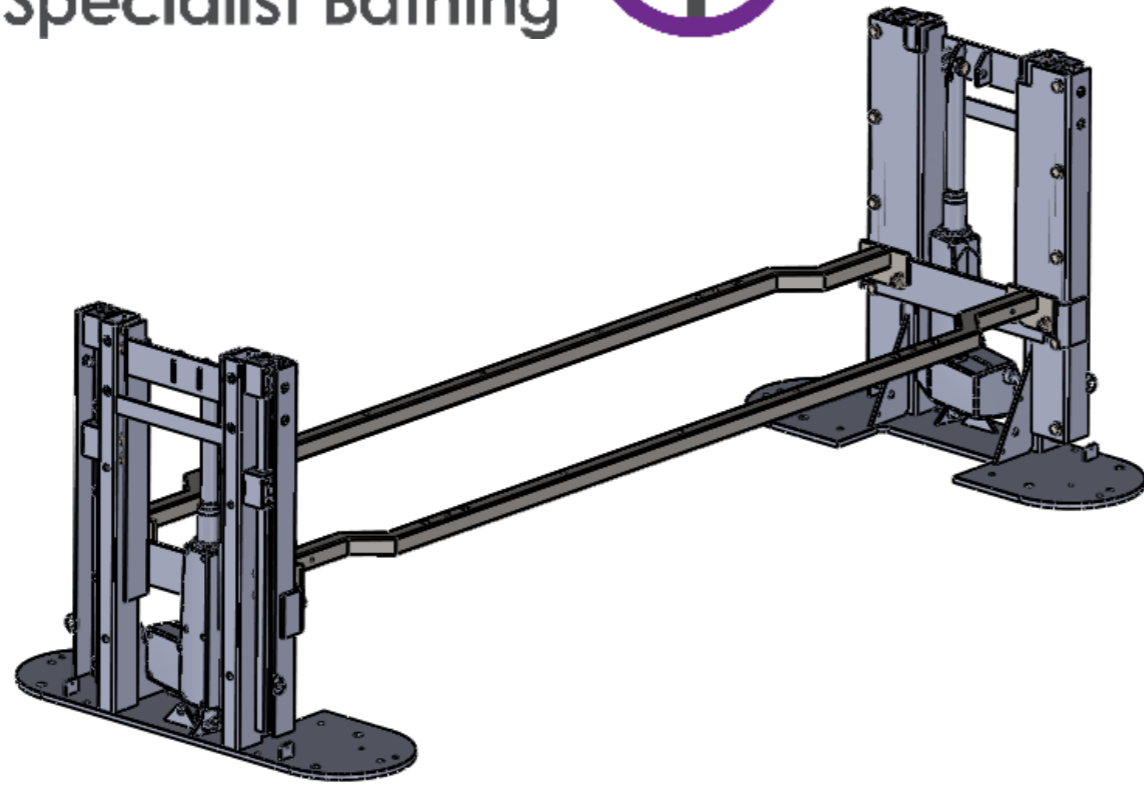


**GENTONA & TORIN  
PARTS MANUAL**

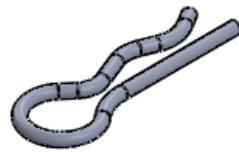
GB030-04-000114 auto fill solenoid



**Hi-Lo Bath Frame Fixing Kit-GB035-01-000006**



M10 Stainless Steel  
(Form B) Washer **x8**



R-clip **x4**

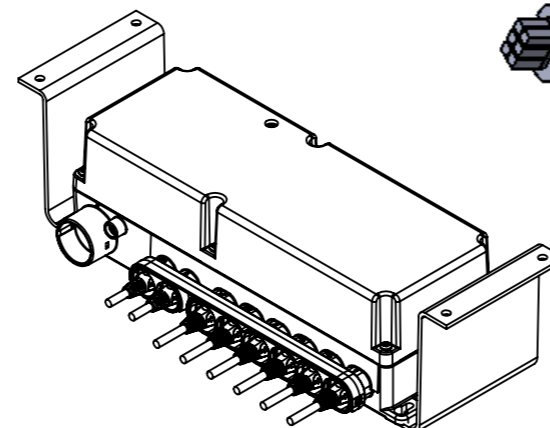
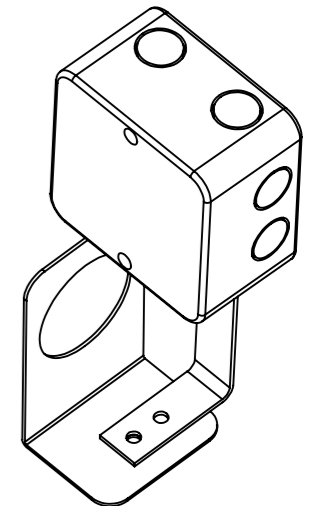
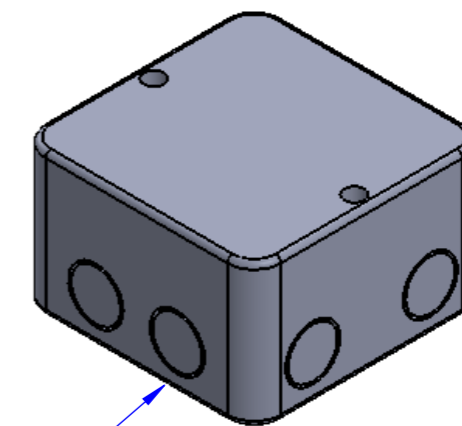
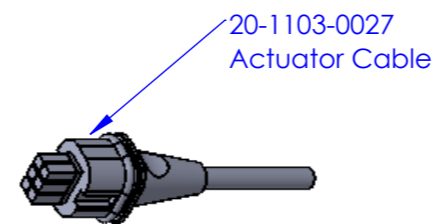
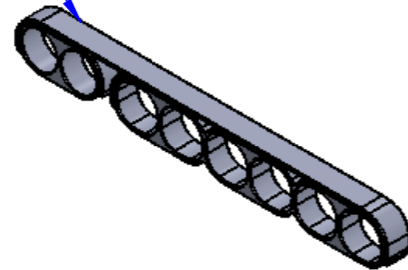
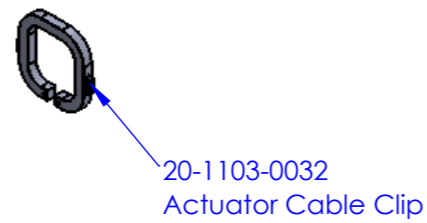
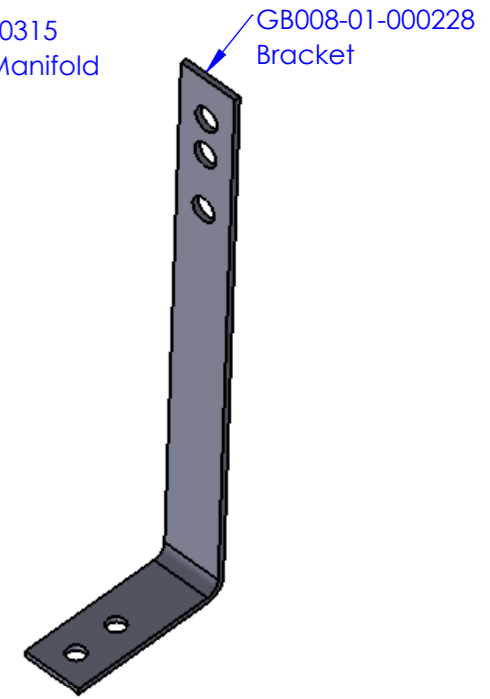
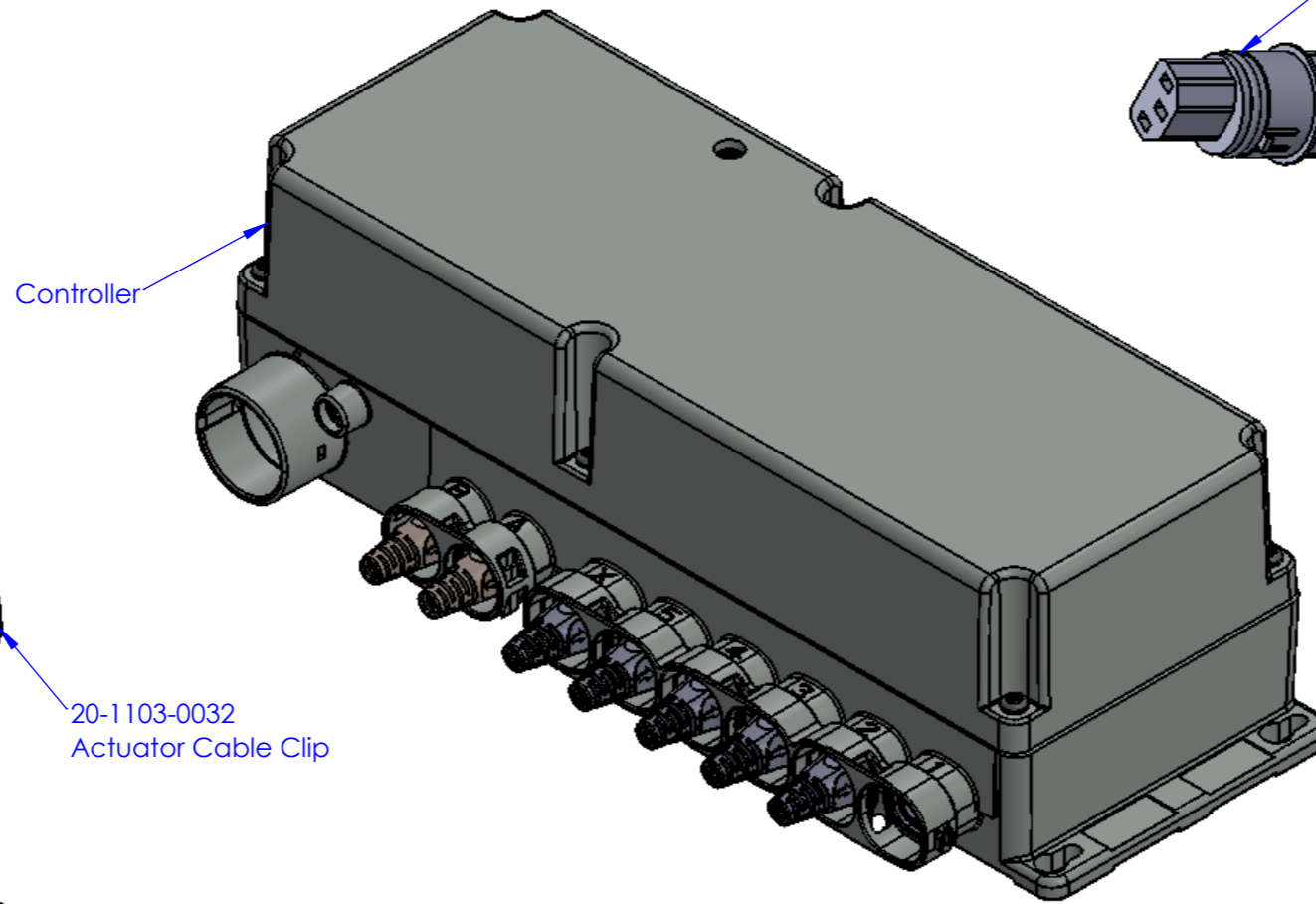
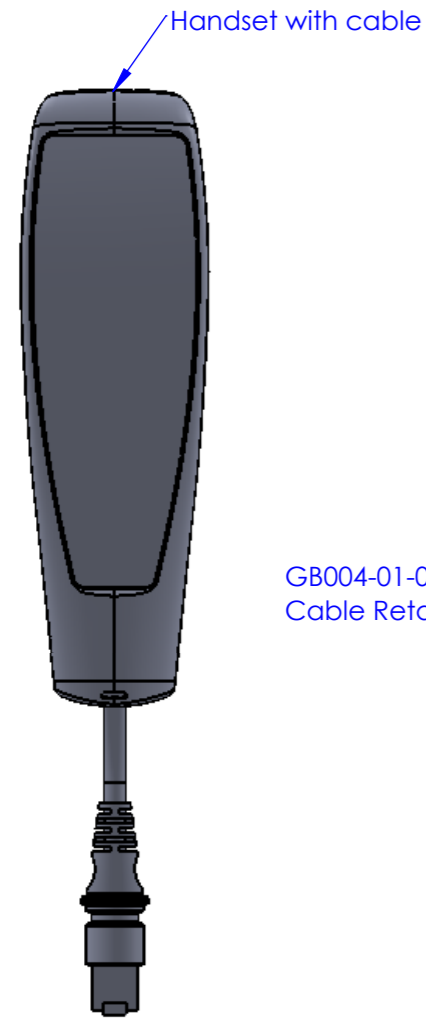
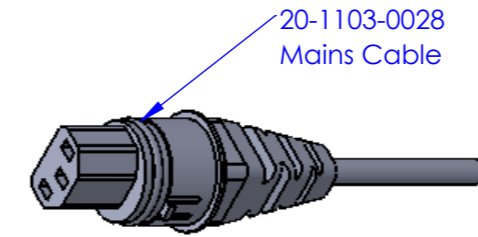
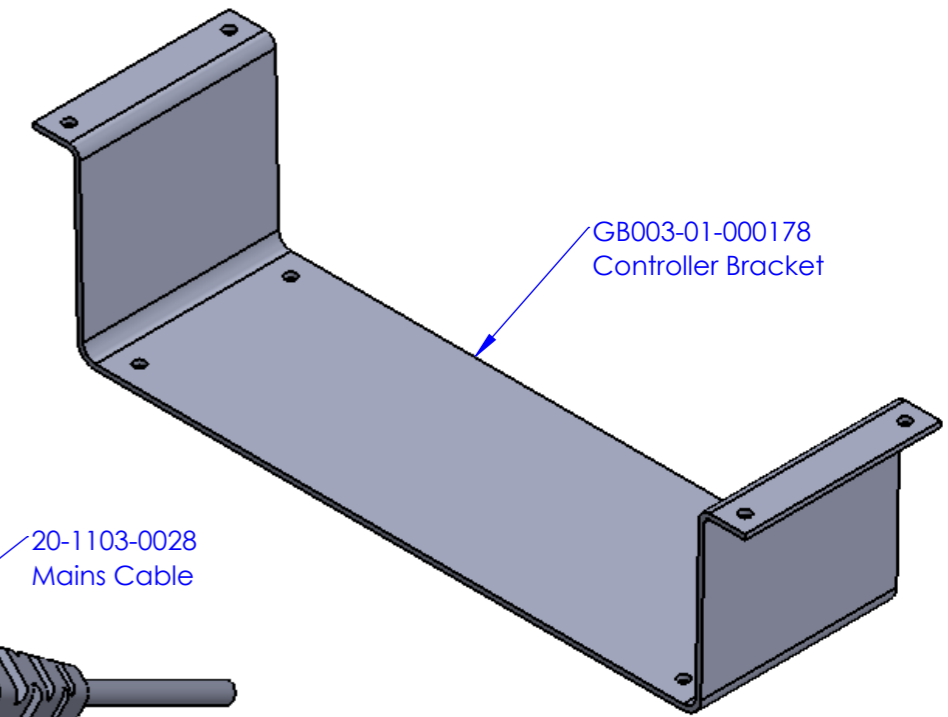
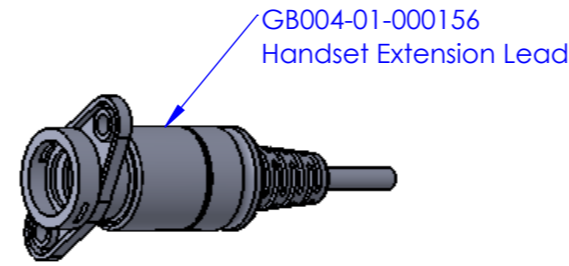


M10 x 16 Cap Head  
Screw **x8**

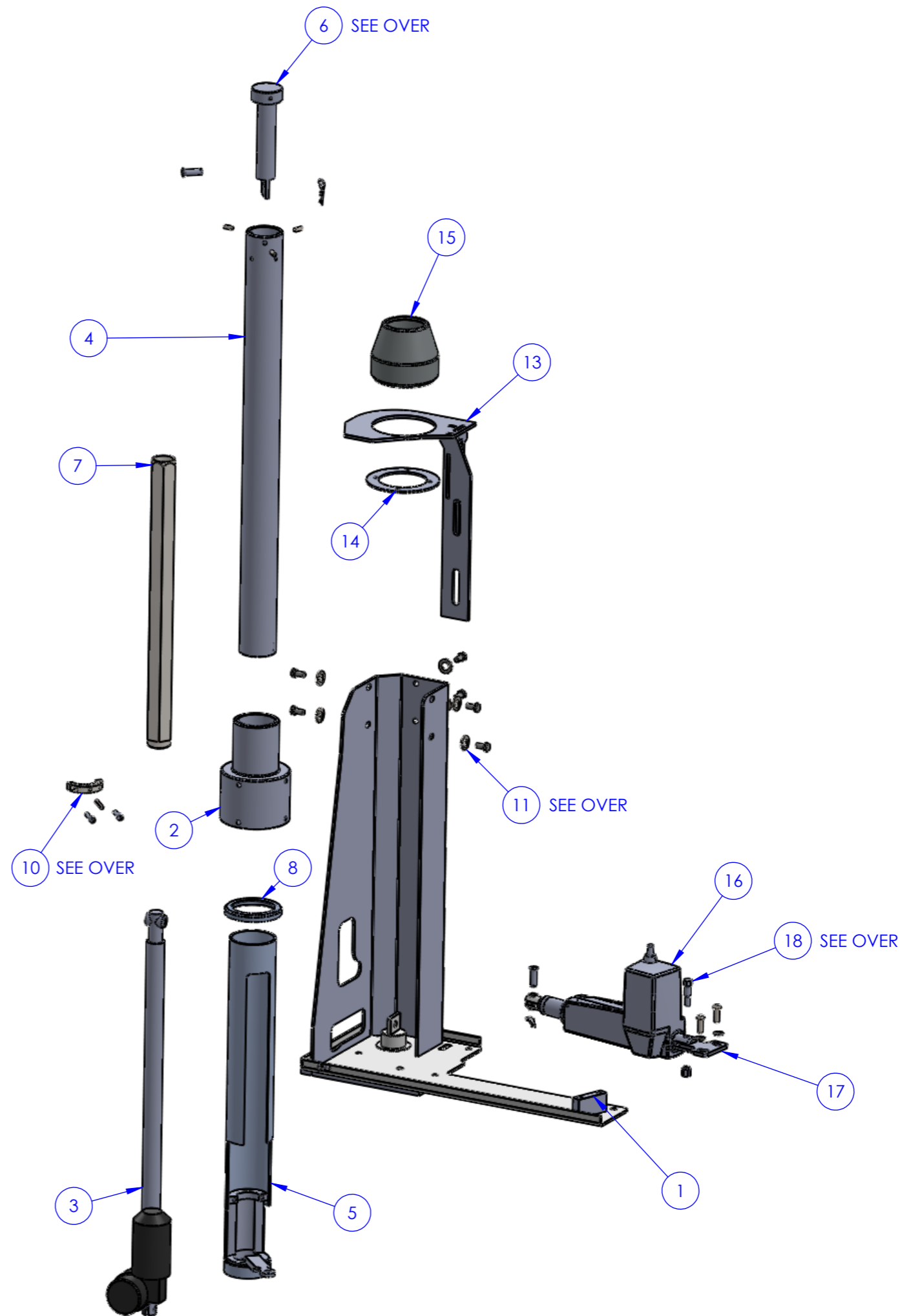


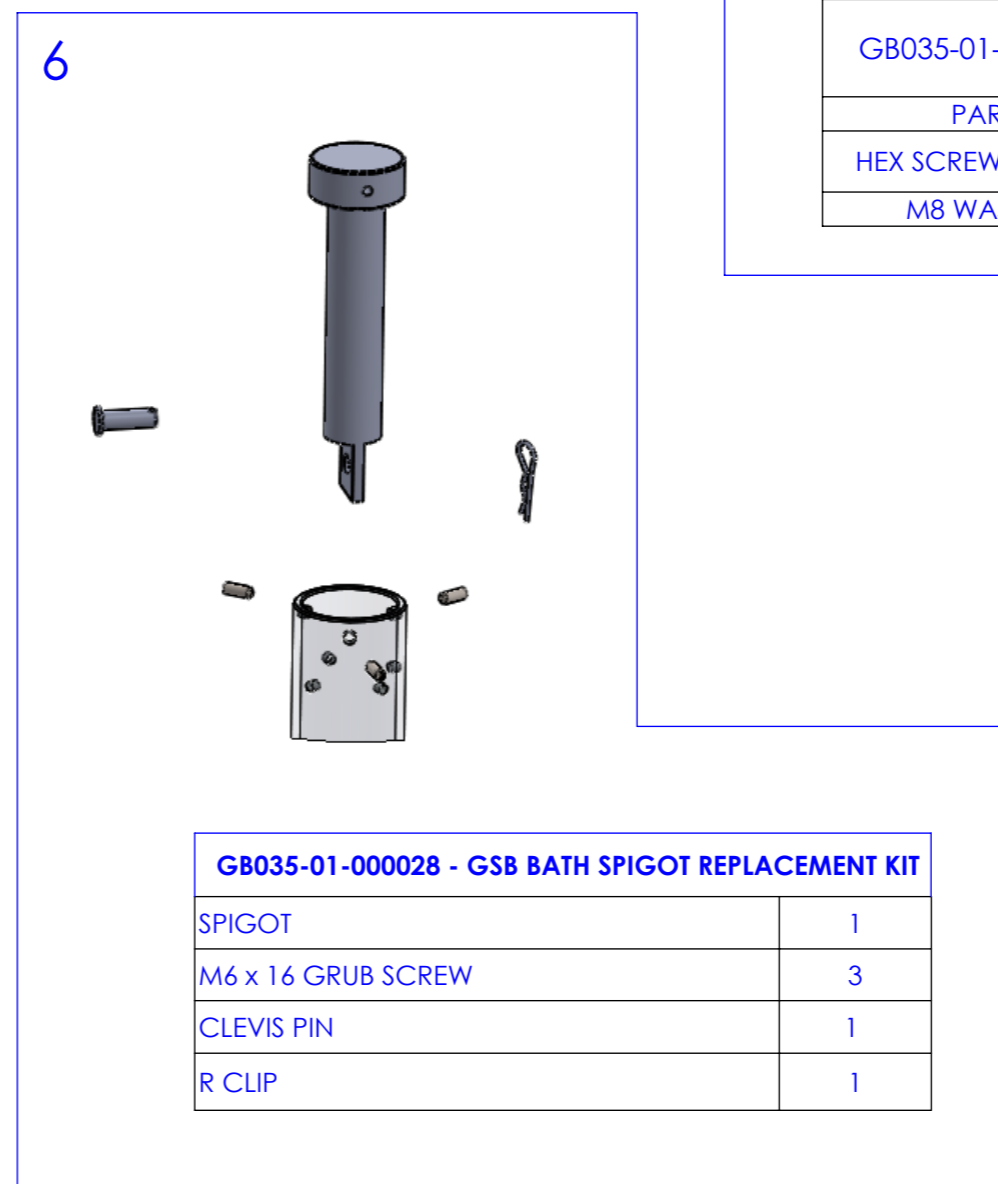
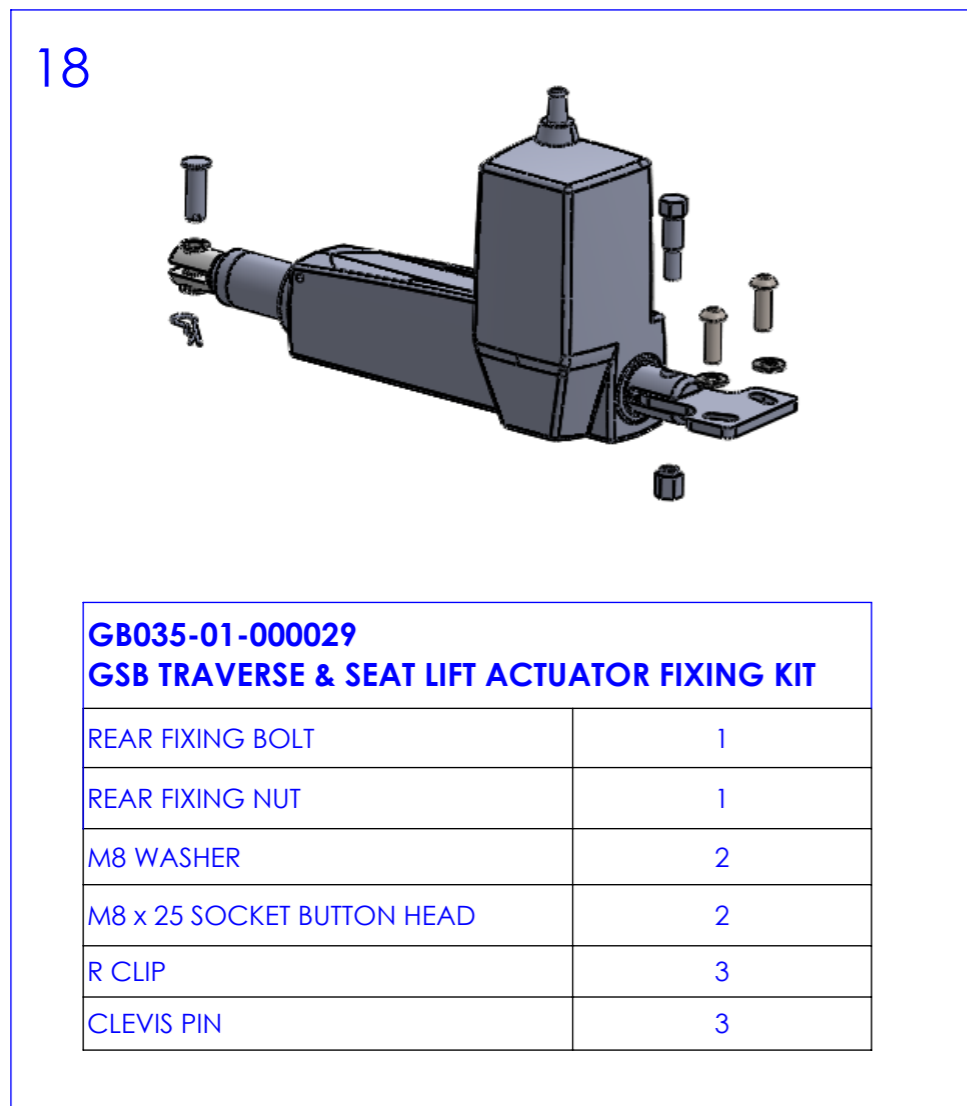
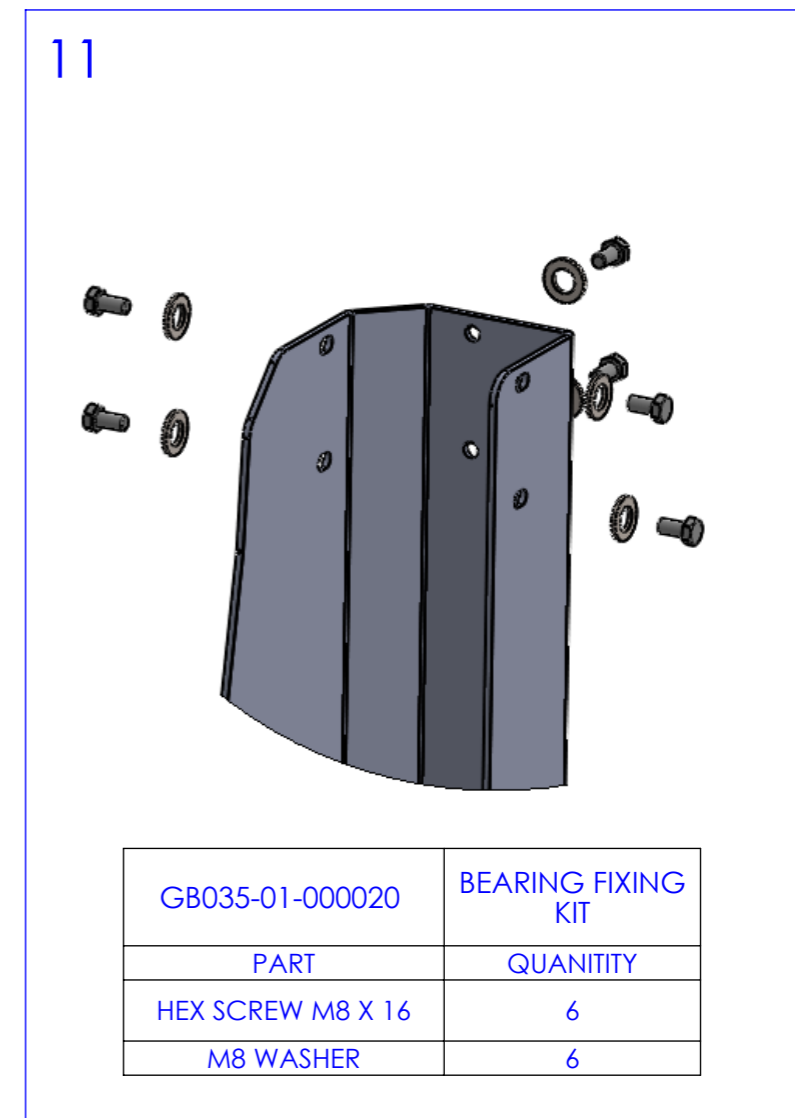
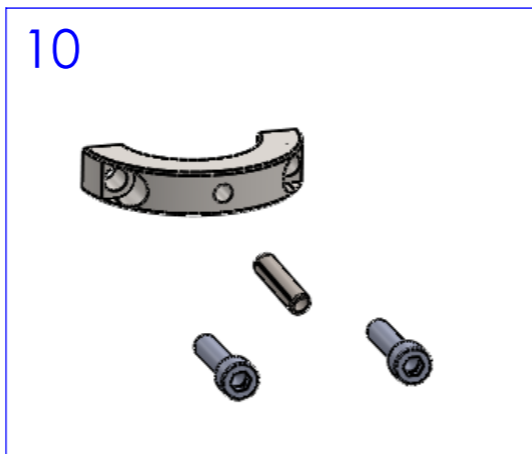
Clevis Pin **x4**

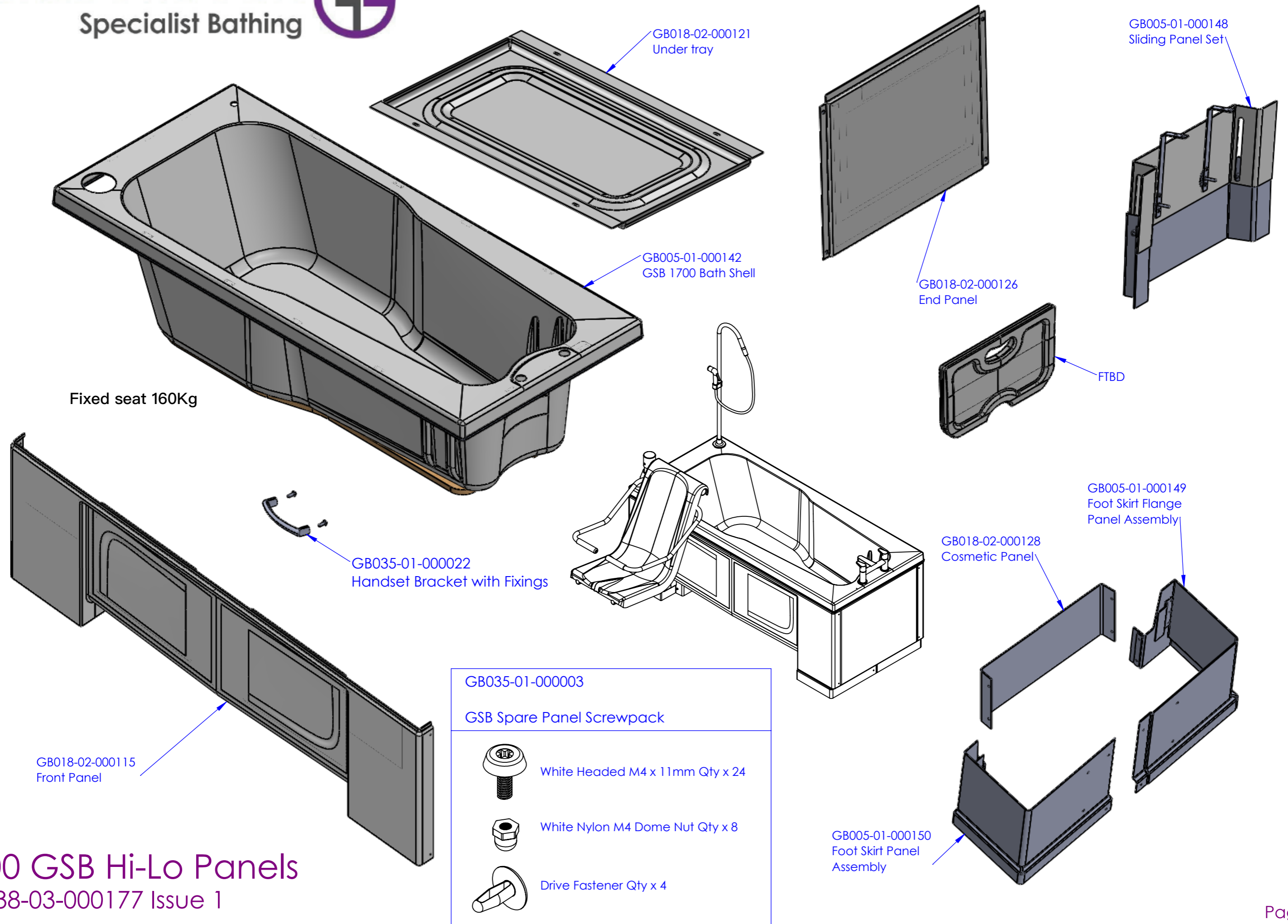
Bath	Controller	Handset
Gentona	GB004-01-000150	GB035-01-000012
Torin	GB004-01-000150	GB035-01-000014
Talano	GB004-01-000150	GB035-01-000015
Ezion	GB004-01-000258	GB035-01-000012
Alera	GB004-01-000258	GB035-01-000015



	PART NUMBER	DESCRIPTION
1	GB003-01-000232 GB003-01-000235	SEAT POST WELDED ASSY A (RH BATH C4 232 / LH Bath 235)
2	GB006-01-000121	SEAT POST BEARING ASSY
3	GB004-01-000147	SEAT LIFT ACTUATOR
4	GB006-01-000118	CHROME SEAT POST ASSY
5	GB006-01-000123	TRAVERSE TUBE WELDED ASSY WITH FLANGED BEARING
6	GB008-01-000179 - SEAT POST SPIGOT	GSB BATH SPIGOT REPLACEMENT KIT
7	GB008-01-000270	HEXAGONAL SHAFT
8	GB008-04-000196	TRAVERSE TUBE TOP COLLAR
10	GB035-01-000021	BOTTOM CLAMPING RING KIT
11	GB035-01-000020	BEARING FIXING KIT
12		NOT AVAILABLE SEPARATELY
13	GB003-01-000291 GB003-01-000292	SHELL SUPPORT BRACKET ASSY RH BATH SHELL SUPPORT BRACKET ASSY LH BATH
14	GB008-01-000222	BEARING HOUSING RING
15	GB006-01-000120	BATH SHELL BEARING HOUSING
16	GB004-01-000116	TRAVERSE ACTUATOR
17	GB008-01-000267	TRAVERSE REAR BRACKET PLATE
18	GB035-01-000029	GSB TRAVERSE & SEAT LIFT ACTUATOR FIXING KIT





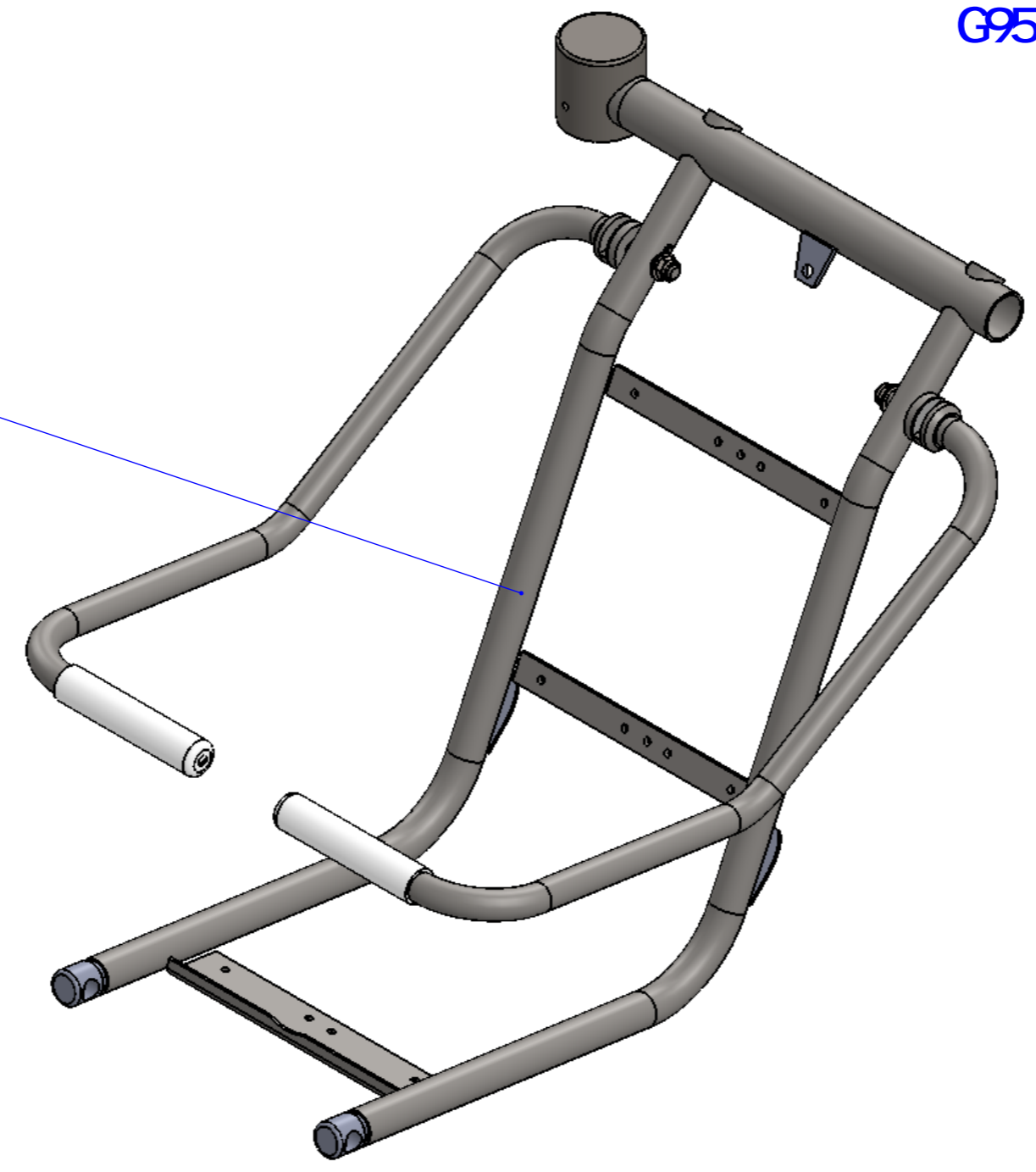


## 1700 GSB Hi-Lo Panels

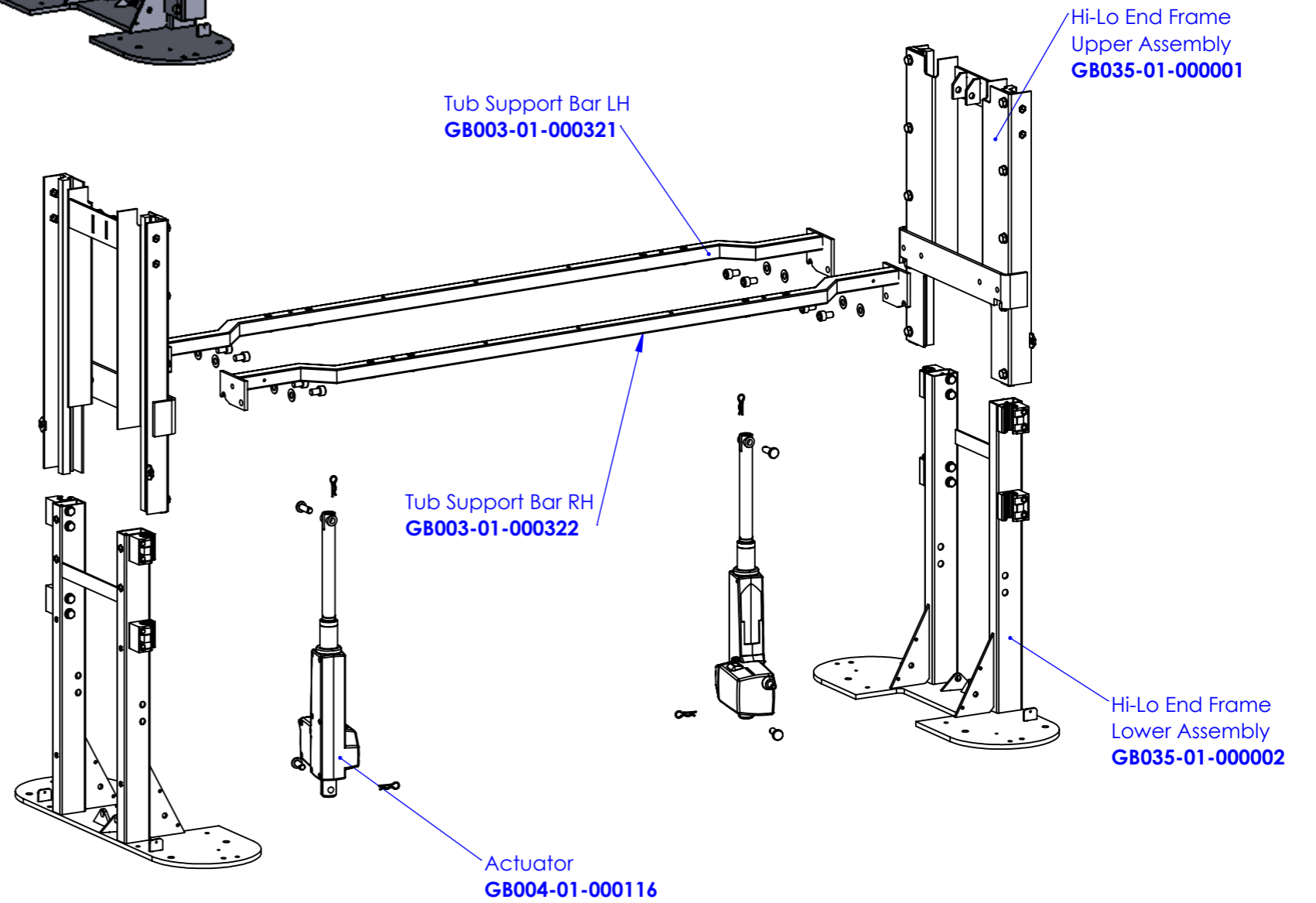
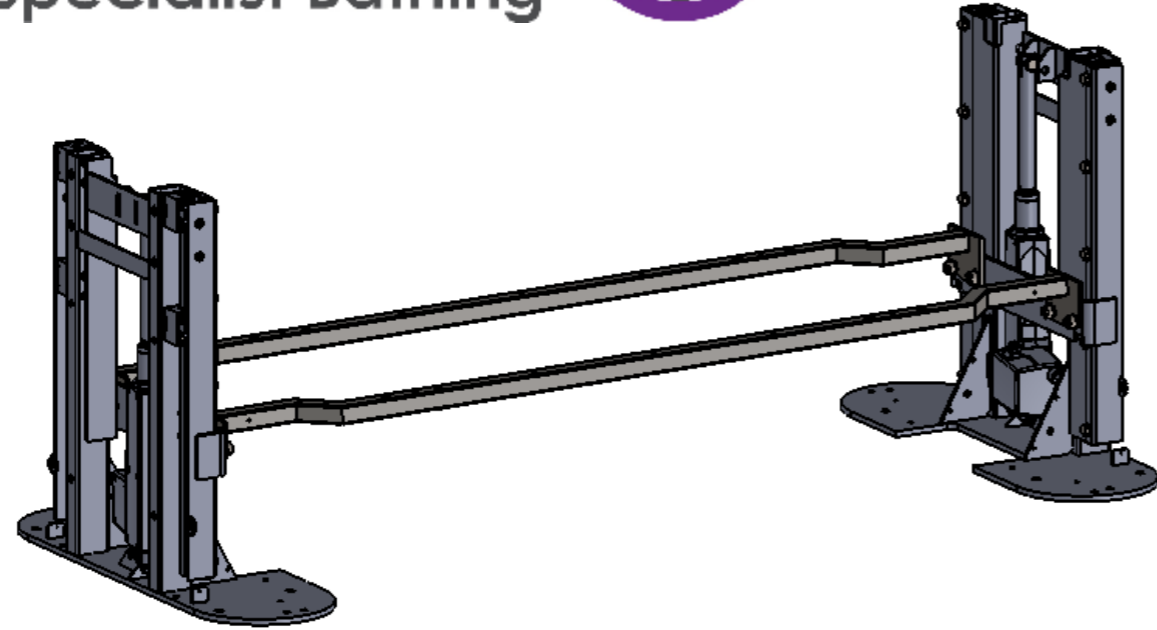
GB038-03-000177 Issue 1

F≠ <H<5B8'  
G95HG<CK B

GYUh: fUa Y'5ggYa V`m  
@!; 6\$\$)!\$%\$\$\$\$),  
F<!; 6\$\$)!\$%\$\$\$\$) -



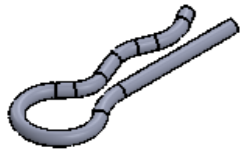
; G6'GYUh: fUa Y'5ggYa V`m  
7 ca d`YhY`k ]h\`5fa g



**Hi-Lo Bath Frame Fixing Kit-GB035-01-000006**



M10 Stainless Steel  
(Form B) Washer **x8**



R-clip **x4**

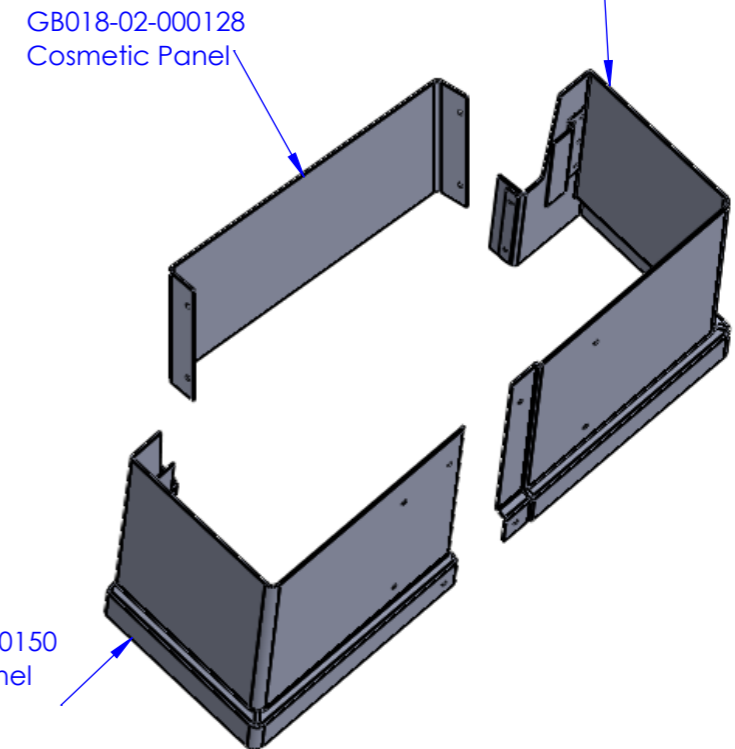
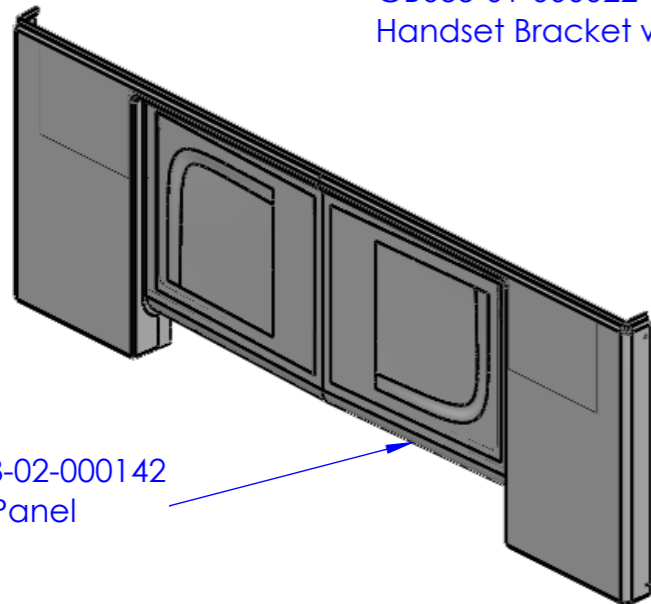
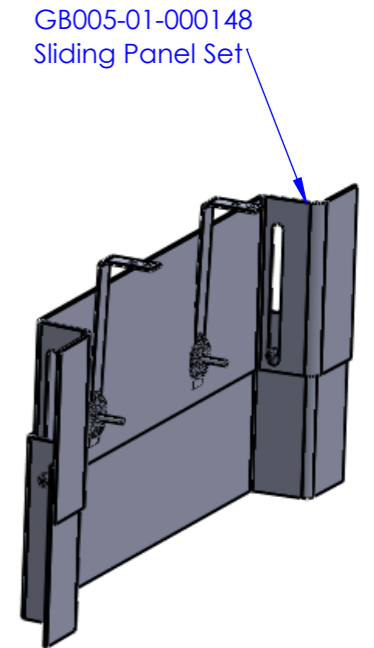
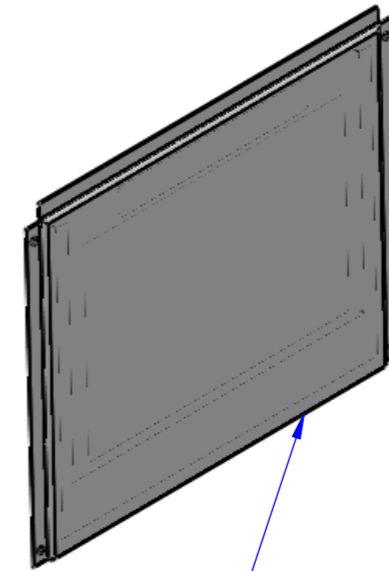
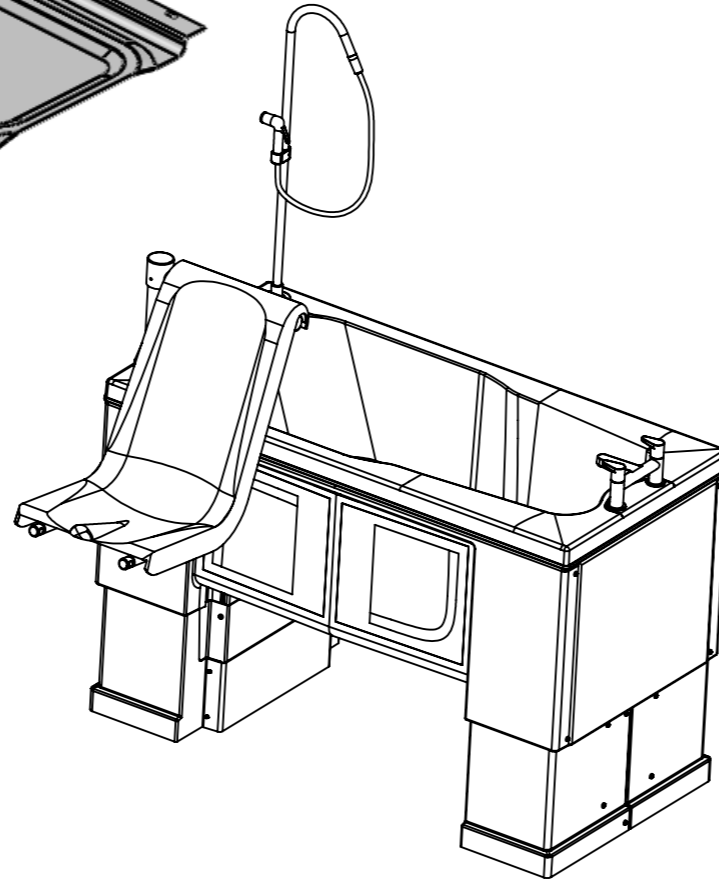
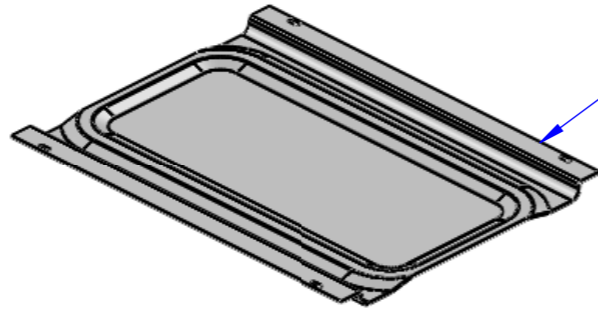
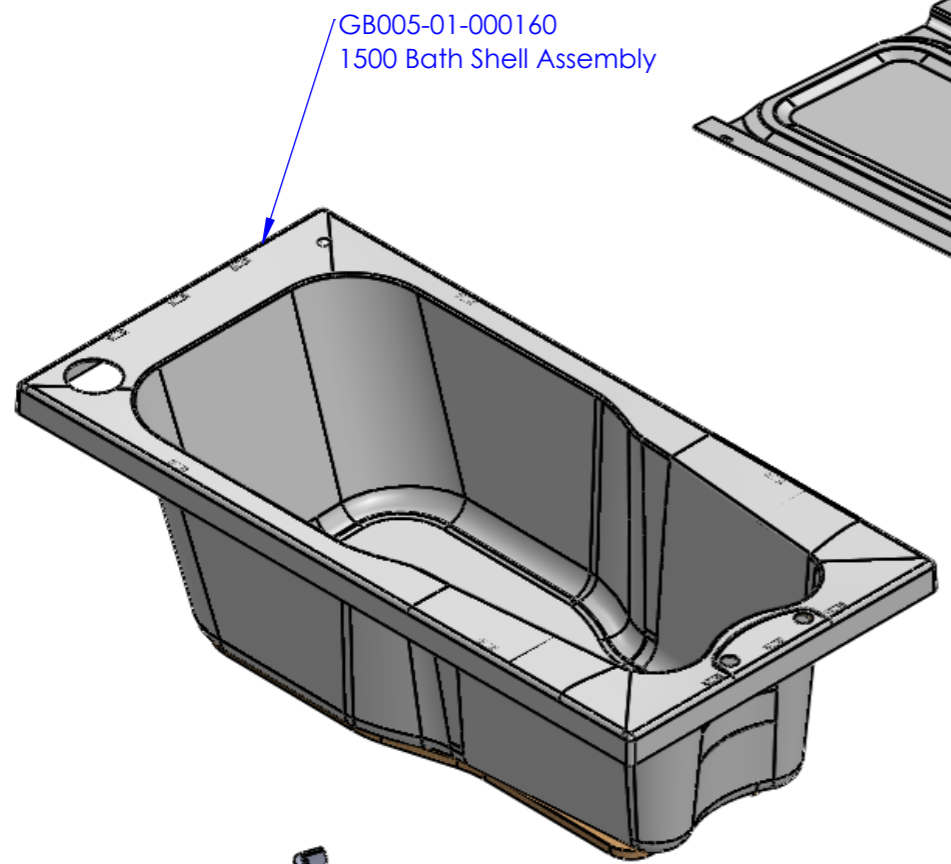


M10 x 16 Cap Head  
Screw **x8**



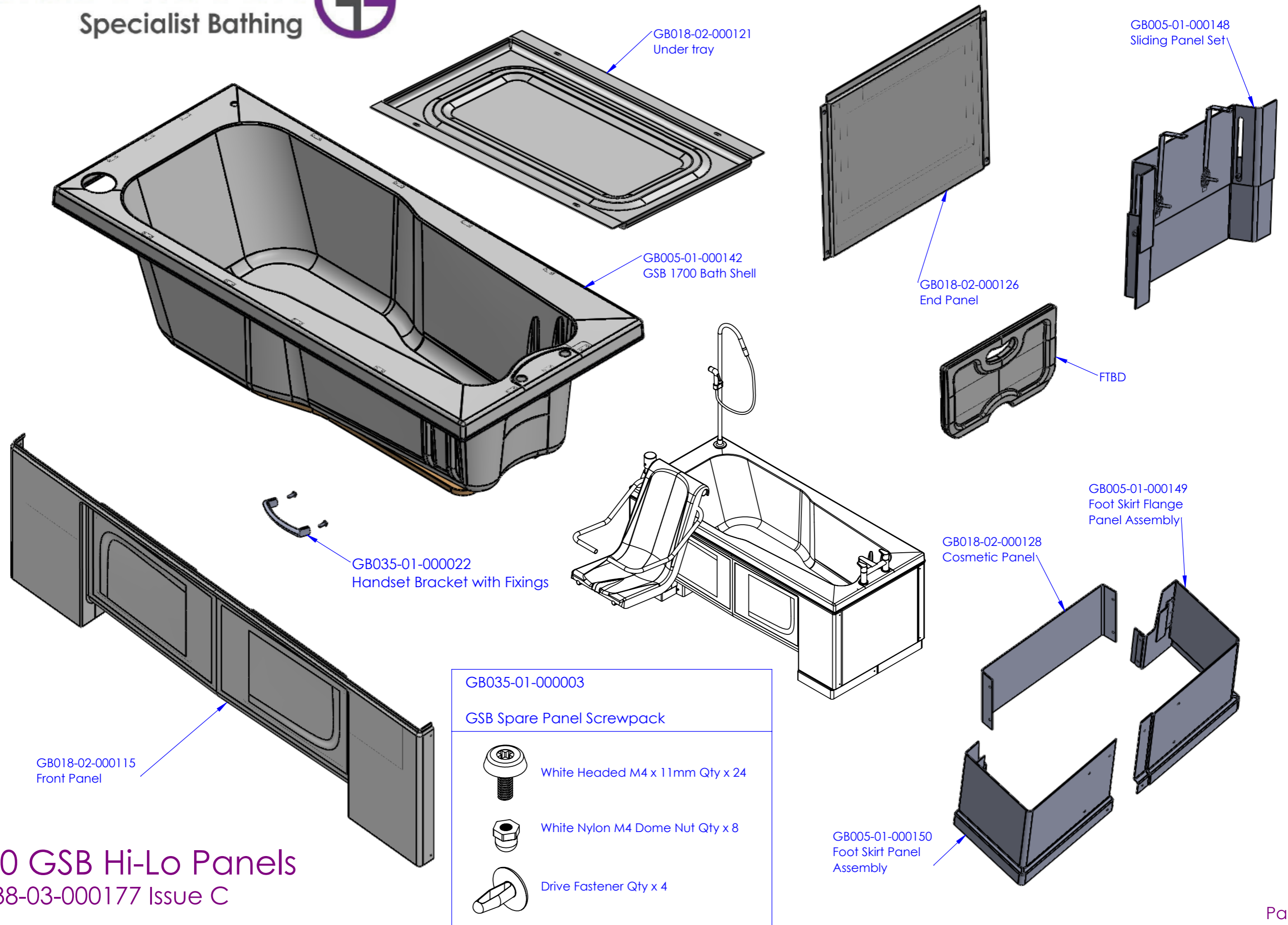
Clevis Pin **x4**





GB035-01-000003  
GSB Spare Panel Screwpack

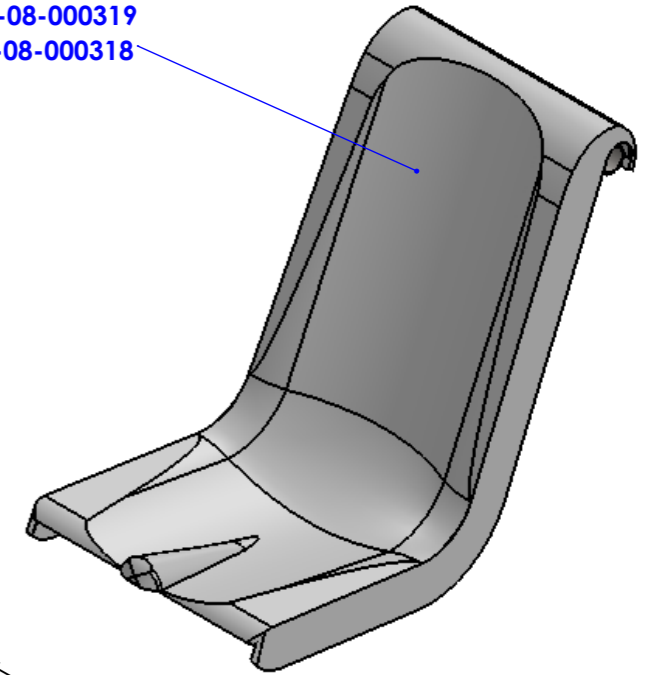
-  White Headed M4 x 11mm Qty x 24
-  White Nylon M4 Dome Nut Qty x 8
-  Drive Fastener Qty x 4



## 1700 GSB Hi-Lo Panels

GB038-03-000177 Issue C

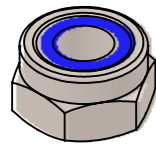
Seat Shell  
 RH - GB017-08-000319  
 LH - GB017-08-000318



**Seat Fixing Kit - GB035-01-000005**



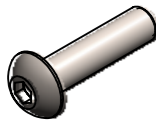
GSB 1700 Seat Arm  
 Acetal Washer - x 2  
 GB008-04-000260



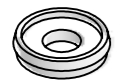
M10 Nyloc Hex Nut - x2  
 20-2200-0121



M10 Stainless Steel  
 (Form C) Washer- x2  
 GB010-05-000160



M5 x 20 Socket Head  
 Button Screw- x4  
 20-2200-0020



M5 Cap Ring- x4  
 20-1802-0007



M5 Cover Cap- x4  
 20-1802-0006



M6 x 12 Socket Head  
 Button Screw -x3  
 20-2200-0045

Arm Assembly RH  
 GB003-02-000282

White PVC Arm Sleeve  
 GB004-01-000205

Arm Assembly LH  
 GB003-02-000281

**RIGHT HAND  
 SEAT SHOWN**

Seat Frame  
 LH- GB003-02-000283  
 RH- GB003-02-000280

GSB Seat Frame Assembly Complete with arms (& sleeves)  
 GB005-01-000158-LH  
 GB005-01-000159-RH

**GSB Seat Assembly**

GB038-03-000188 - Issue 1