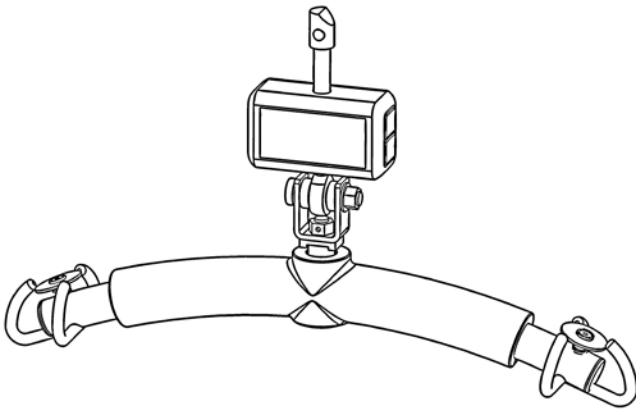


User Instruction Manual

Oxford Classic Digital Weigh Scale

To avoid injury, read user manual prior to use.



Contents

1. Introduction: About Your Scale	3
2. Assembly and Commissioning Instructions.....	4
3. Safety Precautions	5
4. Operating Instructions	6
5. Battery Replacement.....	8
6. Maintenance Schedule and Error Identification	9
7. Technical Specifications.....	10
8. Warranty.....	11

1. Introduction: About Your Scale

Statement of Intended Use

The Oxford Classic Digital Weigh-scale is a technologically advanced, microprocessor controlled, digital weighing device. It features a large, easy to read, Liquid Crystal Display (LCD) that shows the patient's weight. The scale is Class III certified, which means it will provide a highly accurate measurement of weight each and every time - critically important for on-going patient monitoring and precise medication delivery.

The Oxford Classic Digital Weigh-scale is powered by 6 x AAA size alkaline batteries and is specifically designed for use with the following lifts only:

- Oxford Mini
- Oxford Midi
- Oxford Major
- Oxford Maxi
- Oxford Voyager 420 and 550 Overhead lifts

Joerns Healthcare strongly recommend that you use this scale on a flat hard surface. A soft surface such as carpet, may result in a false or inaccurate reading.

The CE mark: The Oxford Classic Digital Weigh-scale carries the CE mark and complies with the following EC directives:



- Medical Device Directive (93/42/EEC)
- EMC Directive (89/336/EEC)
- Low Voltage Directive (73/23/EEC)

Maximum Safe Working Load

The maximum safe working load of the Oxford Classic Digital Weigh-scale is 300kg.

WARNING

The maximum safe working load for the lift which the scale is fitted to should never be exceeded.

Recycling

This product is not to be treated as regular household waste, but should be handed into an electrical/electronic equipment recycling centre.

You can obtain further details from your local council, your municipal waste disposal company or the supplier from where the product was purchased.

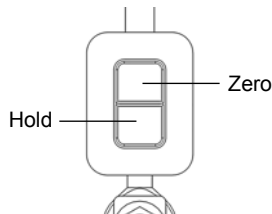
Note: this manual should be kept with the scale at all times.

2. Assembly and Commissioning Instructions

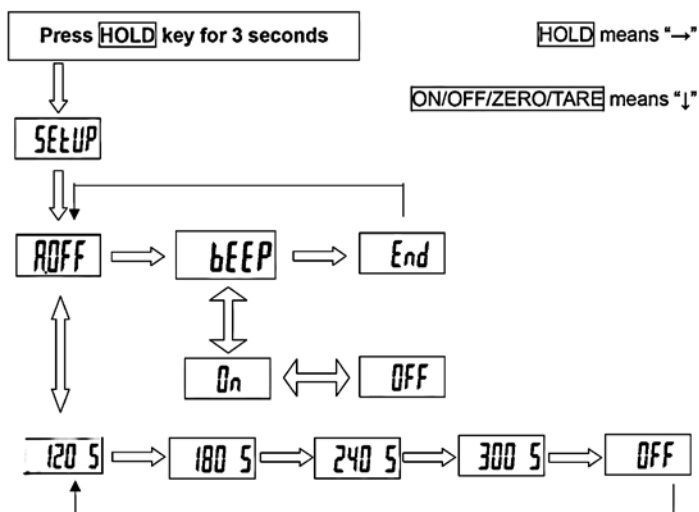
Setting Up Your Scale

The following example illustrates how to set the AUTO-OFF function to 180 seconds and to disable the audible 'beep':

- STEP 1:** Press 'ZERO' key to switch scale on.
- STEP 2:** Press the 'HOLD' key for 3 seconds to enter 'SET-UP' mode.
- STEP 3:** Press the 'ZERO' key to enter 'AOFF' mode.
- STEP 4:** Press the 'HOLD' key to select '180 S' indicating that the AUTO-OFF time is 180 seconds.
- STEP 5:** Press the 'ZERO' key to select and return to 'AOFF' mode and press 'HOLD' to enter to 'BEEP' setup mode.
- STEP 6:** Press the 'ZERO' key to enter 'BEEP' setup mode and press 'HOLD' again to select between 'ON' and 'OFF'.
- STEP 7:** Press the 'ZERO' key to decide and return to 'BEEP' set-up mode.
- STEP 8:** Press the 'HOLD' key to select 'END' and press 'ZERO' to finish setting.



Operation Flow



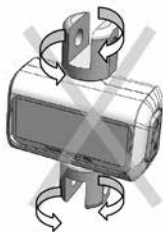
3. Safety Precautions

⚠ WARNING

Before using your scale, please ensure you have read and understood the contents of this manual. It contains important information and guidance for installation, safe use and general maintenance of the device.

The manufacturer shall not be liable for damages arising out of failure to comply with the following instructions:

- When using electrical components in safety critical environments, always conform to the relevant regulations.
- Incorrect installation or use other than in accordance with the instructions provided within this manual will render the warranty null and void.
- This device is designed for indoor use only.
- Ensure the scale is used within the specified operating temperature range.
- The scale meets requirements for electromagnetic compatibility.
- Ensure that the patient does not lean against the device due to a risk of falling.
- Following assembly to an Oxford patient lift, the scale must not be rotated horizontally. Rotation is only permitted in connection with 360° swivel bearings installed on the lift.
- The device must not be modified from its standard configuration. Unapproved modifications may result in injury and/or death to the patient and/or carer and will render all liability and warranty invalid.
- Cardon joints are assembled with the loadcell by the manufacturer. Manually twisting or adjusting cardon joints can cause instability and may result in injury and/or death to patient and/or carer.



⚠ WARNING

- **DO NOT** exceed the maximum safe working load of the scale which is stated on the front panel and on the label on the reverse side of the scale. The scale will emit audible 'beeps' when loading exceeds the maximum rated capacity.
- **NEVER** exceed the safe working load of the lift that the scale is fitted to.

NOTE: If you require additional assistance with the set-up or use of your scale, please contact your local authorised dealer or Joerns Healthcare direct.

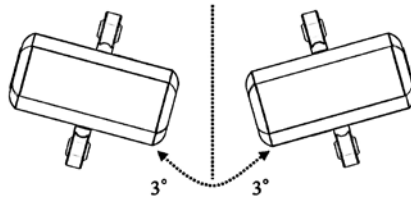
4. Operating Instructions

Before reading detailed instructions on how to use all the weighing functions that are built into your scale, please read the following important operating instructions:

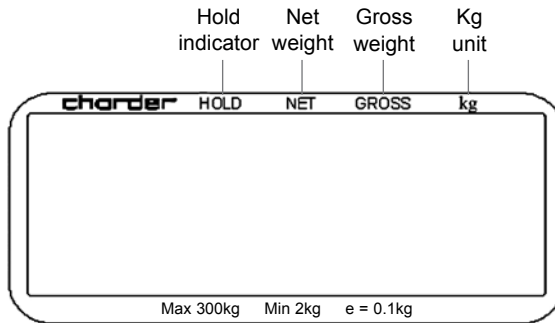
- Always ensure the display shows 'Zero' before use. If it does not then please press the ZERO key.
- The weigh-scale is designed to detect when a stable weight is achieved, your reading should be taken at this point.

⚠ CAUTION

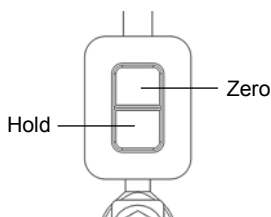
A tilt angle in excess of 3° will result in a false or inaccurate reading.



Panel indication



Key functions



ON / OFF / ZERO / TARE

- Press to switch on.
- Press and hold for 3 seconds to switch off.
- Press to return to zero which is at condition of $\pm 2\%$ of full capacity.
- Press to tare the weight.

The TARE function can be used to subtract any additional weight, i.e. a patient's clothing or a sling to calculate a net value.

To use this function, simply weigh the additional items using the scale, press the '**ON/OFF/ZERO/TARE**' key so that the display reverts to zero.

You can now lift and weigh the patient as usual (including the additional items). The LCD display will now show a net value that excludes the weight of the additional items.

HOLD

- When the HOLD function is enabled, the scale will sample 5 to 10 sets of readings and analyse the discrepancy.
- Press to store the weight value.
- To disable the hold function, press the '**HOLD**' key again.

Feature settings

Auto-off time adjustment:

This feature adjusts auto-off period following non-operation. When the selected time period has elapsed, the device will shut off automatically to save battery life.

Pre-set options: 120 sec / 180 sec / 240 sec / 300 sec / Off.

Buzzer adjustment:

This function enables the user to turn the audible buzzer **ON** or **OFF** according to preference.

5. Battery Replacement

⚠ WARNING

- All batteries contain toxic compounds. Batteries should be disposed of according to the applicable legal requirements and/or via a competent organisation complying with the deposit of Poisonous Waste Regulation 1972.
- DO NOT incinerate batteries.
- The optimum operating temperature for the scale is between 5°C and +35°C. Although it will operate outside of this range, the scale's battery life will be adversely effected.
- When buying new batteries, select batteries low in harmful substances and no mercury (Hg), Cadmium (Cd) or Lead (Pb).

Instructions for replacing the battery

Your scale uses 6 x AAA size alkaline batteries. Please follow the instructions below for replacement.



1. Locate the battery cover at the rear of scale.



2. Remove the battery cover by sliding in the direction shown.



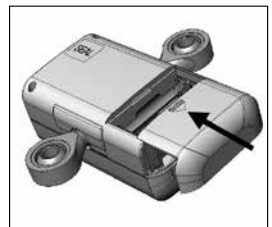
3. Remove the battery case.



4. Install 6 x AAA size batteries.
Ensure correct polarity is observed.



5. Reinstall the battery case as shown.



6. Replace the battery cover to complete the process.

6. Maintenance Schedule and Error Identification

Your scale does not require any routine maintenance, however, Joerns Healthcare recommend you check the accuracy of the scale at regular intervals. The frequency of these checks is dependant on the level of use and the condition of the scale. If inaccuracies occur, please contact your local dealer or Joerns Healthcare for further guidance. Additionally, the accuracy of the scale should be tested and verified as part of the routine periodic maintenance and inspection (LOLER).

Cleaning

- Joerns Healthcare recommend using alcohol based wipes or similar when cleaning the scale.
- DO NOT use excessive amounts of water when cleaning the scale as this will cause damage to the electronics. You should also refrain from using corrosive liquids or high pressure washers.
- DO NOT use abrasive cleaning solutions as these could damage the surface finish of the scale.
- Always turn off the scale prior to cleaning.

Error messages



Low battery indication:

This warning indicates that the voltage of the batteries is too low to operate. Please replace the batteries.



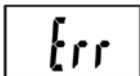
Zero high:

The loading has exceeded the upper limit of the scale. Please reduce the loading.



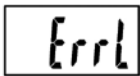
Zero low:

The loading has not achieved the lower limit of the scale. Please increase the loading.



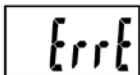
Over-load or counting error:

The upper load limit of the scale has been exceeded. Please reduce the loading and try again. If the problem persists please contact your local authorised dealer or Joerns Healthcare.



Counting error (too low):

The lower load limit of the scale has not been achieved. Please increase the loading and try again. If the problem persists, please contact your local authorised dealer or Joerns Healthcare.

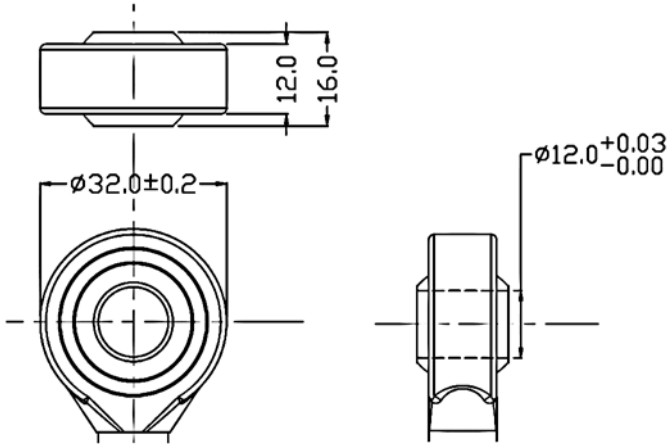


Eeprom error:

The software of the scale has encountered an error. If the problem persists, please contact your local authorised dealer or Joerns Healthcare for resolution.

7. Technical Specifications

Technical data of cardan joint



Capacity (Maximum safe working load)	300kg
Division	0.1kg
Accuracy	$\pm 0.15\text{kg}$
OIML Class	III
Display Options	1.0 inch 5 and 1/2 digits
Weight Unit	kg
Dimensions	120 x 70 x 160mm
Power Supply	1.5V AAA x 6 batteries
Operating Temp.	0° / 40°

NOTE: Only the kg unit is approved by OIML (International Organization of Legal Metrology)

8. Warranty

Joerns Healthcare has an established network of reputable distributors and dealers who will be pleased to handle all your purchasing, warranty, repair and maintenance enquires.

Included with each scale is a prepaid Customer Satisfaction card. Please take the time to fill it in and return it to Joerns Healthcare Ltd. Our products are guaranteed for a period of twelve months from the date of manufacture or twelve months from the date of purchase if commissioned by an authorised dealer. We recommend that all of our products are commissioned by your dealer and are supported by them for future servicing.

The dealer or distributor operates the warranty programme, so it is important to keep a record of their name address and telephone number so they can be contacted should any problem arise.

If you are in doubt where your scale was purchased, Joerns Healthcare can trace the supplier if you quote the serial number of the scale.

REMEMBER: Contact your distributor for purchases, Warranty, repairs, servicing and annual certified maintenance.

Your distributor:

