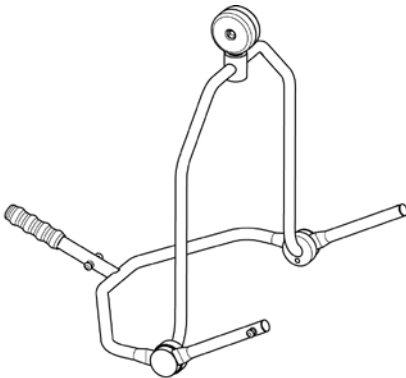


User Instruction Manual

Oxford® 4-Point Positioning Cradle

To avoid injury, read user manual prior to use.



Contents

1. Safety Warnings.....	3
2. Assembly Instructions.....	4
3. Warranty	5

1. Safety Warnings

NOTE: Assembly instructions pertain to the type of lifter boom that you will be attaching to the cradle. Follow the appropriate instructions based upon your lifter and model ordered.

⚠ WARNING

- **The Oxford Cradle does not increase the maximum weight capacity of a lifter. For maximum weight capacity of lifter please refer to the owners manual that was shipped with the lifter, or for additional copies call Customer Service.**
- **For patient use, refer to the separate manual included with your lifter. If you did not receive a copy or require additional copies call Customer Service.**
- **Using other manufacturers' parts on Oxford products is unsafe and may result in serious injury to patient and/or attendant. Use only Oxford lifter parts on Oxford products. Oxford parts are not interchangeable with other manufacturers' products. Replace worn parts immediately.**
- **Torn, frayed, or broken slings could fail resulting in serious injury or death to patient. Only use slings in good condition. Destroy and discard old and unusable slings.**

2. Assembly Instructions

Lifter Model: OXF-PRESENCE
OXF-STATURE

Cradle Model Number: 0Y0050
0Y0189

Tools Required: Flat blade screwdriver

FOLLOW THESE INSTRUCTIONS EXACTLY:

Your Oxford Presence lift has the option of using both a 6-point spreader bar or 4-point positioning cradle.

The removal of either of these spreader bars is completed easily by the use of a quick-release pin. This is done quickly and easily, but you must read the following safety instructions to ensure the spreader bar is safely locked into position before use.

Removal:

1. To detach pin, depress the spring barb (Fig. 1 and 2).

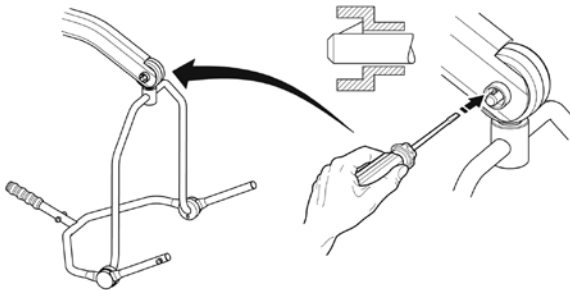


Fig. 1

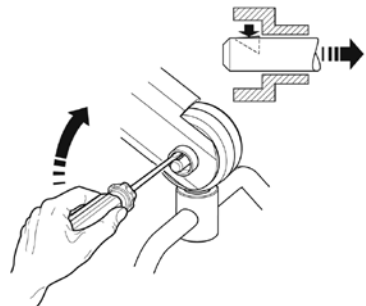


Fig. 2

2. Pull the pin out (Fig. 3, item 1).
3. Support the spreader bar, and then pull the pin sleeve (Fig. 3, item 2) in the opposite direction, removing it from the boom. This will release the spreader bar completely (Fig 4).

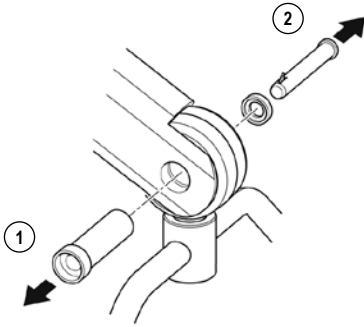


Fig. 3

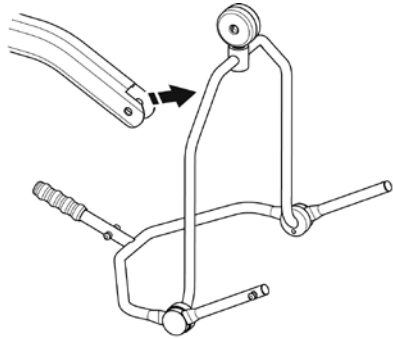


Fig. 4

Connection:

1. To connect, raise the spreader bar up toward the boom slot (Fig. 5). Insert the pin sleeve through the plastic end cap and to support the cradle (Fig. 6, item 1).
2. Once aligned in the boom slot, reinsert the quick release pin fully into the sleeve until it locks into position (Fig. 6, item 2).

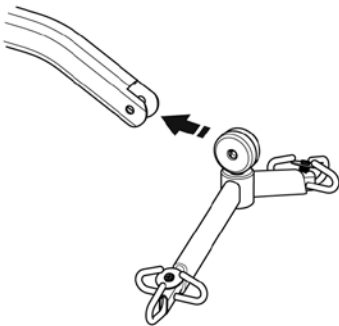


Fig. 5

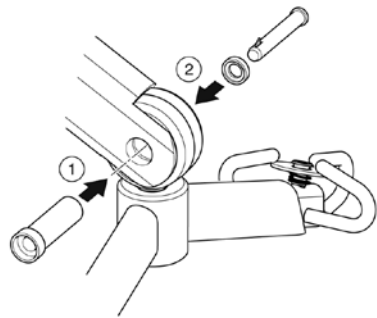


Fig. 6

3. **YOU MUST CHECK THAT THE PIN IS SECURELY FITTED.** To do this, press your finger into the barbed end. If the pin remains stationary, the lift is safe to use (Fig. 7).

Conduct final inspection to ensure that all parts are secure (Fig. 8).

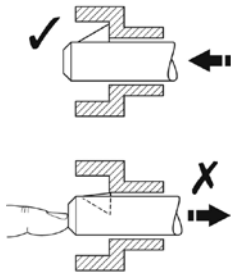


Fig. 7

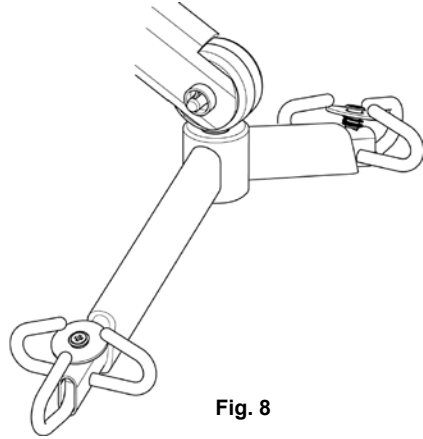


Fig. 8

⚠ WARNING

The pin sleeve must engage through bracket on both sides. If the sleeve is not fully engaged, misalignment and premature failure may result in injury/death to patient/attendant.

3. Warranty

Joerns Healthcare has an established network of reputable distributors and dealers who will be pleased to handle all your purchasing, warranty, repair and maintenance enquires.

This product is guaranteed for a period of twelve months from the date of manufacture or twelve months from the date of purchase if commissioned by an authorised dealer. We recommend that all of our products are commissioned by your dealer and are supported by them for future servicing.

The dealer or distributor operates the warranty programme, so it is important to keep a record of their name address and telephone number so they can be contacted should any problem arise.

If you are in doubt as to where your product was purchased, Joerns Healthcare can trace the supplier if you quote the serial number of the lift. Contact details can be found on the rear cover of this manual.

REMEMBER: Contact your distributor for purchases, warranty, repairs, servicing and certified maintenance.

Your distributor:

